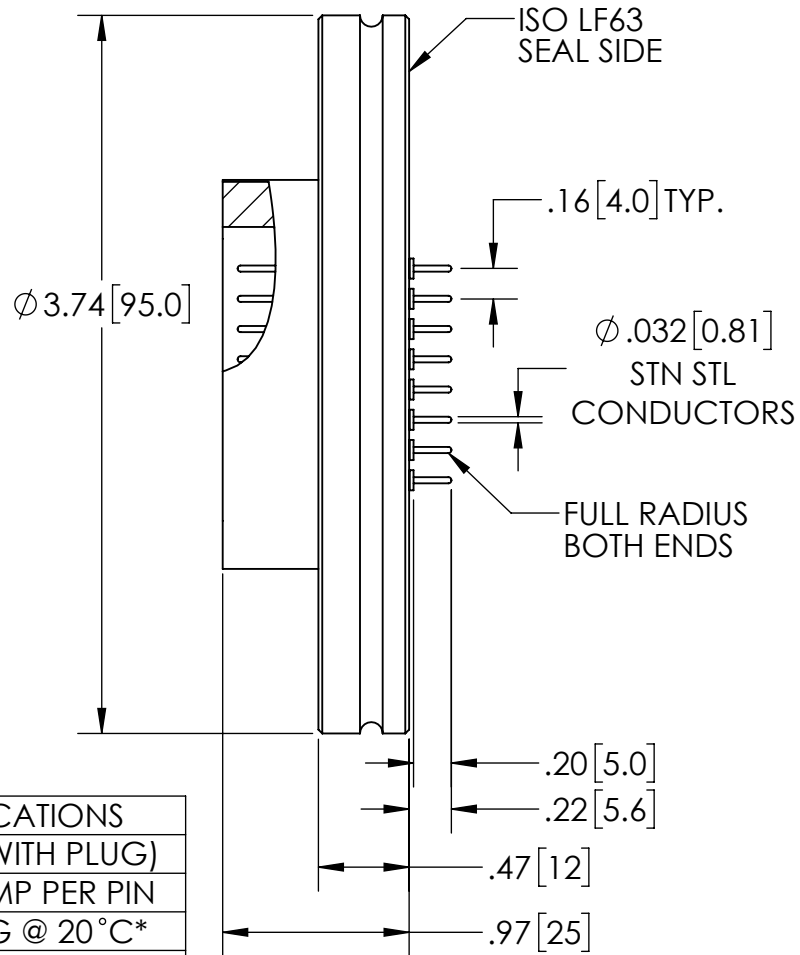
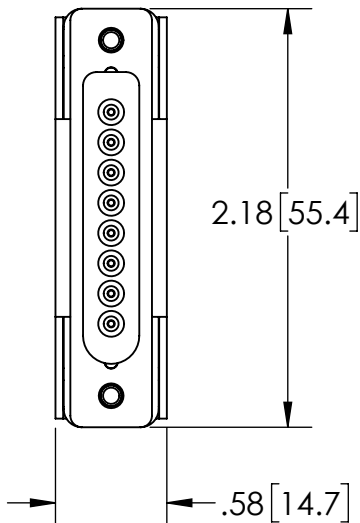
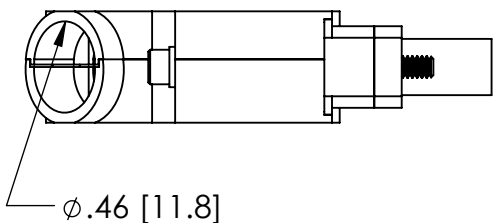


STRAIN RELIEF BUSHING INCLUDED WITH PLUG - STRAIN RELIEF ID 4mm, 5mm, 7mm, 9.8mm 10.2mm



PERFORMANCE SPECIFICATIONS	
VOLTAGE:	3KV (WITH PLUG)
CURRENT:	1.0 AMP PER PIN
PRESSURE:	0 PSIG @ 20°C*
TEMPERATURE WITHOUT PLUG:	-25 °C TO 205 °C
TEMPERATURE WITH PLUG:	-25 °C TO 105 °C

*FOR INTERNAL PRESSURE 5 TO 100 PSIG AN OVERPRESSURE RING IS REQUIRED.

PART NO.	PLUG INCLUDED
KT35439	YES

WWW.SOLIDSEALING.COM



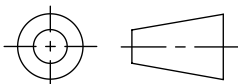
SOLID SEALING TECHNOLOGY, INC.

SALES DWG NO. KT35439SL REV. A1

PROPRIETARY AND CONFIDENTIAL

THE INFORMATION CONTAINED IN THIS DRAWING IS THE SOLE PROPERTY OF SOLID SEALING TECHNOLOGY. ANY REPRODUCTION IN PART OR AS A WHOLE WITHOUT THE WRITTEN PERMISSION OF SOLID SEALING TECHNOLOGY IS PROHIBITED.

THIRD ANGLE PROJECTION



TITLE:

8 PIN CONNECTOR IN ISO LF63

PART NO. KT35439 REV. A

REV.	APP'D	DATE	SCALE 1:1	DIMENSIONS IN INCHES [mm]	DRAWN	ET	05/25/2018
A1	JF	06/21/2018	MALF0004-11		ENG APPR.	JF	06/21/2018

DIMENSIONS ARE FOR REFERENCE ONLY. UNLESS NOTED, NO TOLERANCES ARE IMPLIED. CONSULT SST TO DISCUSS YOUR SPECIFIC REQUIREMENTS.