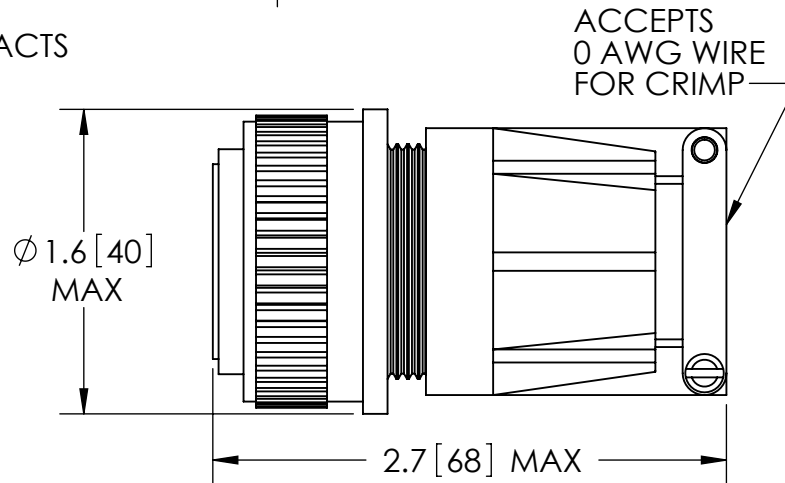
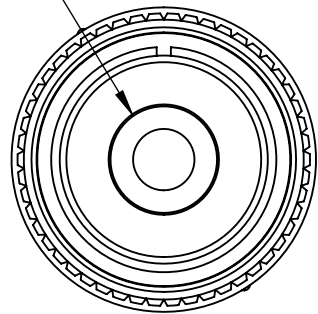


SILVER PLATED
SIZE 0 CRIMP CONTACTS



RATINGS	
VOLTAGE:	1750 V DC
CURRENT @ ROOM TEMPERATURE:	250 AMPS
PRESSURE:	0 PSIG @ 20°C*
TEMPERATURE WITHOUT PLUG:	-25°C TO 205°C
TEMPERATURE WITH PLUG:	-25°C TO 125°C

*FOR INTERNAL PRESSURE 5 TO 100 PSIG AN OVERPRESSURE RING IS REQUIRED.

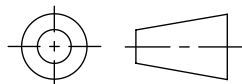
-AMPHENOL AMPHE-POWER® SERIES STRAIGHT AIR SIDE PLUG INCLUDED.
FOR INSTALLATION INSTRUCTIONS REFER TO AMPHENOL® PUBLICATION L-757.

WWW.SOLIDSEALING.COM

PROPRIETARY AND CONFIDENTIAL

THE INFORMATION CONTAINED IN THIS DRAWING IS THE SOLE PROPERTY OF SOLID SEALING TECHNOLOGY. ANY REPRODUCTION IN PART OR AS A WHOLE WITHOUT THE WRITTEN PERMISSION OF SOLID SEALING TECHNOLOGY IS PROHIBITED.

THIRD ANGLE PROJECTION



TITLE:

ONE PIN CONNECTOR



SOLID SEALING TECHNOLOGY, INC.

REV.	APP'D	DATE	SCALE 1:1	DIMENSIONS IN INCHES [mm]	DRAWN	JS	6/18/2009
A5	JF	09/12/2019	MPDP0097-12		ENG APPR.	MH	07/01/2009

PART NO. KT20677 REV. A

SALES DWG NO. KT20677SL REV. A5

DIMENSIONS ARE FOR REFERENCE ONLY. UNLESS NOTED, NO TOLERANCES ARE IMPLIED. CONSULT SST TO DISCUSS YOUR SPECIFIC REQUIREMENTS.