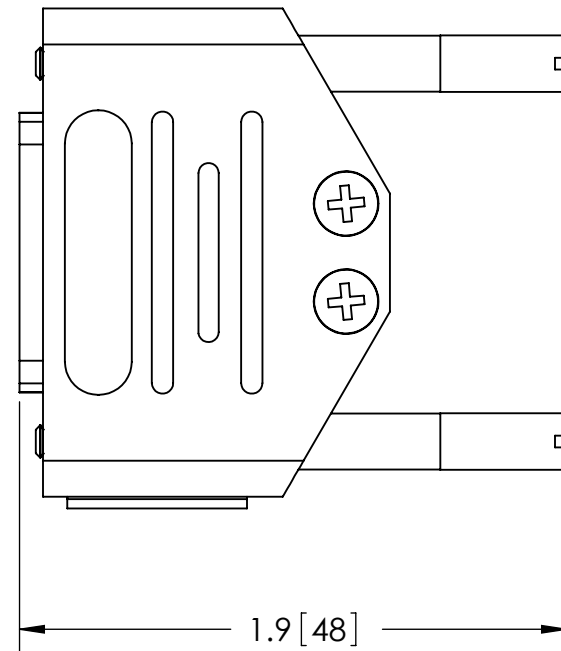
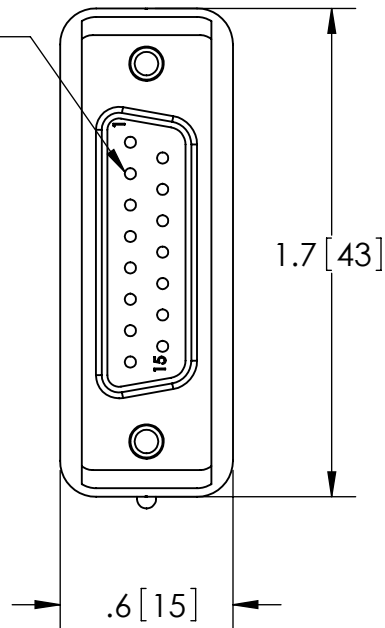


GOLD PLATED
SOLDER CUP
CONTACTS



SPECIFICATIONS
 RATED UL94V-0
 STEEL SHELL W/ YELLOW CHROMATE PLATING
 GLASS FILLED THERMOPLASTIC INSULATOR
 BLACK PLASTICHOOD - HINGED W 4-40 THREADED THUMBSCREWS

RATINGS	
VOLTAGE:	500 V DC
CURRENT:	5 AMPS
TEMPERATURE:	-50°C TO 105°C

WWW.SOLIDSEALING.COM



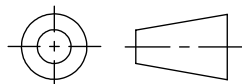
SOLID SEALING TECHNOLOGY, INC.

SALES DWG NO. KT14877SL REV. A1

PROPRIETARY AND CONFIDENTIAL

THE INFORMATION CONTAINED IN THIS DRAWING IS THE SOLE PROPERTY OF SOLID SEALING TECHNOLOGY. ANY REPRODUCTION IN PART OR AS A WHOLE WITHOUT THE WRITTEN PERMISSION OF SOLID SEALING TECHNOLOGY IS PROHIBITED.

THIRD ANGLE PROJECTION



TITLE:

15 PIN SUB D AIR SIDE PLUG

PART NO. KT14877 REV. A

REV.	APP'D	DATE	SCALE 1.5:1	DIMENSIONS IN INCHES [mm]	DRAWN	JS	8/7/2007
A1	MH	05/23/2008	KT14877-11		ENG APPR.	MH	05/23/2008

DIMENSIONS ARE FOR REFERENCE ONLY. UNLESS NOTED, NO TOLERANCES ARE IMPLIED. CONSULT SST TO DISCUSS YOUR SPECIFIC REQUIREMENTS.