

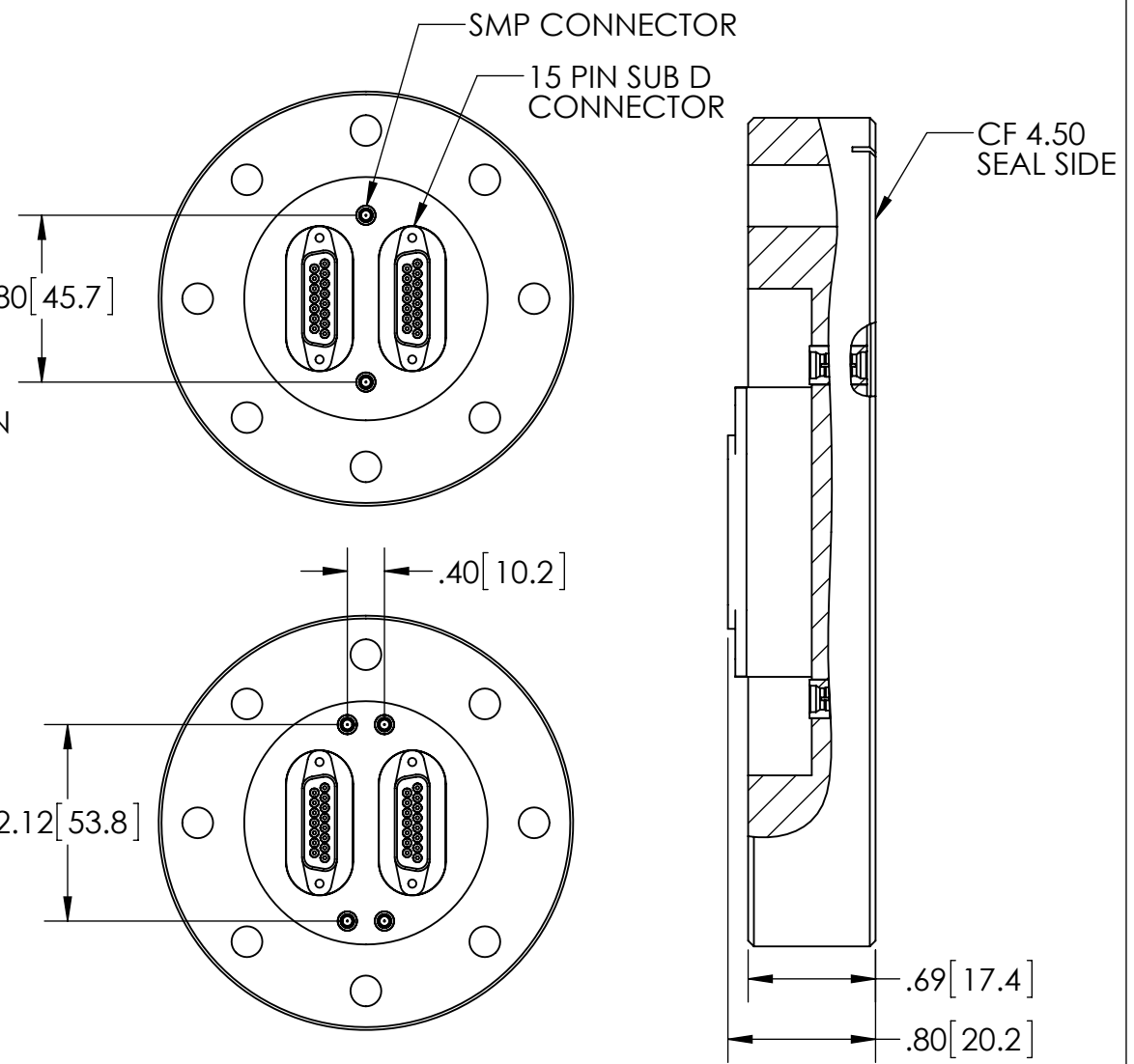
**FA33323-XXX**

PART NUMBER

NUMBER OF SMP'S IN FLANGE  
eg. 2 OR 4

AIR SIDE SMP TERMINATION  
eg. F=FULL  
S=SMOOTH  
L=LIMITED

VACUUM SIDE SMP TERMINATION  
eg. F=FULL  
S=SMOOTH  
L=LIMITED



SCALE 1:1

SMP PERFORMANCE SPECIFICATIONS	
VOLTAGE (DWV):	500 V RMS
INSULATION RESISTANCE:	> 5000 MΩ
TEMPERATURE WITHOUT PLUG:	-269°C TO 450°C

SUB D PERFORMANCE SPECIFICATIONS	
VOLTAGE:	500V DC
CURRENT:	5 AMPS
TEMPERATURE WITHOUT PLUG:	-269°C TO 450°C

LEAK RATE <1 X 10E-10 ATM-CC/SEC (He)

[WWW.SOLIDSEALING.COM](http://WWW.SOLIDSEALING.COM)

PROPRIETARY AND CONFIDENTIAL THE INFORMATION CONTAINED IN THIS DRAWING IS THE SOLE PROPERTY OF SOLID SEALING TECHNOLOGY. ANY REPRODUCTION IN PART OR AS A WHOLE WITHOUT THE WRITTEN PERMISSION OF SOLID SEALING TECHNOLOGY IS PROHIBITED.				THIRD ANGLE PROJECTION 			TITLE: <b>2X SUB D &amp; 50 OHM SMP IN 4.5CF</b>	
REV.	APP'D	DATE	SCALE 1:2	DIMENSIONS IN INCHES [mm]	DRAWN	MH	1/11/2016	
A1	JF	01/27/2016	COSM0008-11		ENG APPR.	JF	01/27/2016	

PART NO. FA33323 REV. A

**SOLID SEALING TECHNOLOGY, INC.**  
SALES DWG NO. FA33323SL REV. A1

**DIMENSIONS ARE FOR REFERENCE ONLY. UNLESS NOTED, NO TOLERANCES ARE IMPLIED. CONSULT SST TO DISCUSS YOUR SPECIFIC REQUIREMENTS.**