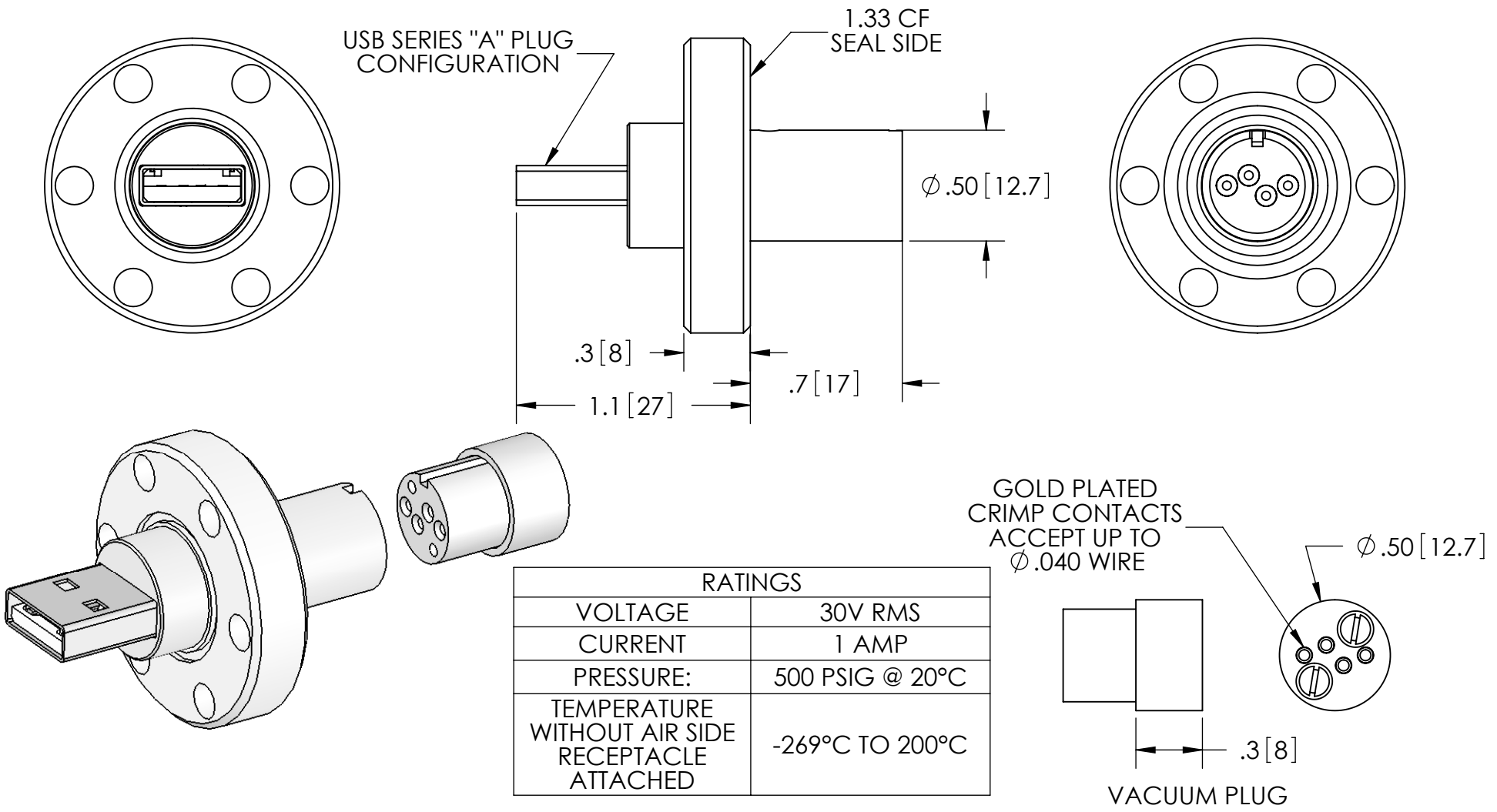


MATES WITH STANDARD USB SERIES "A" RECEPTACLE ON AIR SIDE



OUR USB CONNECTORS MEET OR EXCEED THE VOLTAGE AND CURRENT REQUIREMENTS FOR USB 2.0 AND 3.0. WE DO NOT GUARANTEE THE DATA TRANSFER RATE OR ANY OTHER REQUIREMENT OF THE USB SPECIFICATIONS.

PROPRIETARY AND CONFIDENTIAL THE INFORMATION CONTAINED IN THIS DRAWING IS THE SOLE PROPERTY OF SOLID SEALING TECHNOLOGY. ANY REPRODUCTION IN PART OR AS A WHOLE WITHOUT THE WRITTEN PERMISSION OF SOLID SEALING TECHNOLOGY IS PROHIBITED.				THIRD ANGLE PROJECTION 			TITLE: <b>USB CONNECTOR</b>		 <b>SOLID SEALING TECHNOLOGY, INC.</b> SALES DWG NO. FA16840SL REV. C3
REV. C3 APP'D JS DATE 09/13/2013 SCALE 3:2 DIMENSIONS IN INCHES [mm]	DRAWN JS ENG APPR. MH	4/17/2008 05/18/2009	PART NO. FA16840 REV. C						

**DIMENSIONS ARE FOR REFERENCE ONLY. UNLESS NOTED, NO TOLERANCES ARE IMPLIED. CONSULT SST TO DISCUSS YOUR SPECIFIC REQUIREMENTS.**