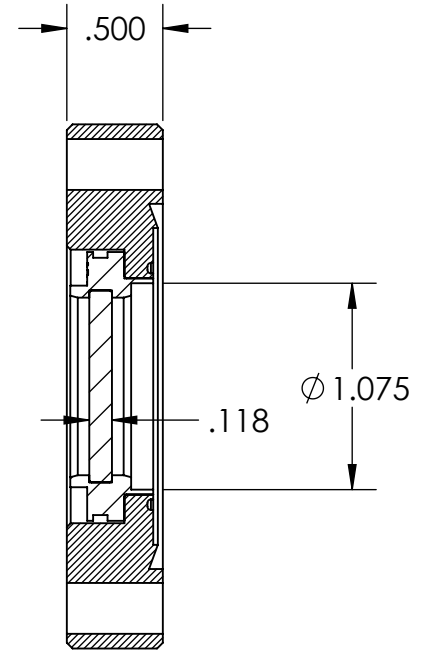
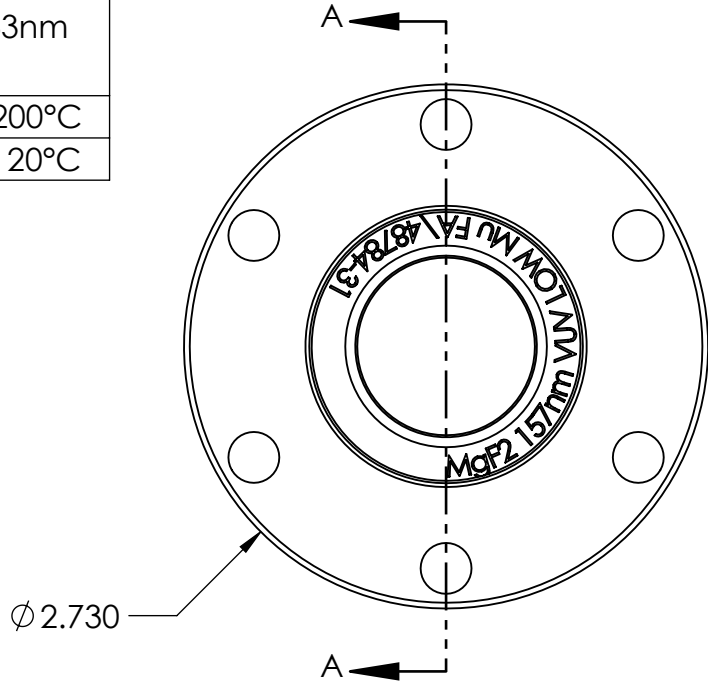


PERFORMANCE SPECIFICATIONS	
SURFACE QUALITY	40-20 OR BETTER
PARALLELISM	30 ARC MINUTES MAX
TRANSMITTED WAVEFRONT DISTORTION (TWD) (FLATNESS)	$< \lambda/4$ @ 633nm
TEMPERATURE	-100°C TO 200°C
PRESSURE	105 PSIG @ 20°C



SECTION A-A

PART No	WINDOW MATERIAL	FLANGE MATERIAL
FA48784	MAGNESIUM FLUORIDE UV GRADE	304 STN STL
FA48784-11	MAGNESIUM FLUORIDE 157nm VUV	304 STN STL
FA48784-21	MAGNESIUM FLUORIDE UV GRADE	316 STN STL
FA48784-31	MAGNESIUM FLUORIDE 157nm VUV	316 STN STL

PROPRIETARY AND CONFIDENTIAL THE INFORMATION CONTAINED IN THIS DRAWING IS THE SOLE PROPERTY OF SOLID SEALING TECHNOLOGY. ANY REPRODUCTION IN PART OR AS A WHOLE WITHOUT THE WRITTEN PERMISSION OF SOLID SEALING TECHNOLOGY IS PROHIBITED.				THIRD ANGLE PROJECTION 		TITLE <b>MgF2 VIEWPORT IN 2.75 CF FLANGE</b>					
REV.	APP'D	DATE	SCALE 1:1	DIMENSIONS IN INCHES [mm]	DRAWN	MH	10/13/2023	PART NO. FA48784 REV. A		WWW.SOLIDSEALING.COM	
A1	MH	1/3/2024	VPWD0048-01	ENG APPR.	MH	1/3/2024	SALES DWG NO. FA48784SL REV. A1				

**DIMENSIONS ARE FOR REFERENCE ONLY. UNLESS NOTED, NO TOLERANCES ARE IMPLIED. CONSULT SST TO DISCUSS YOUR SPECIFIC REQUIREMENTS.**