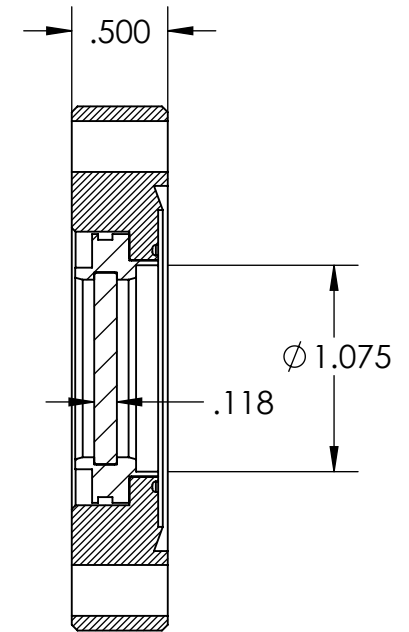
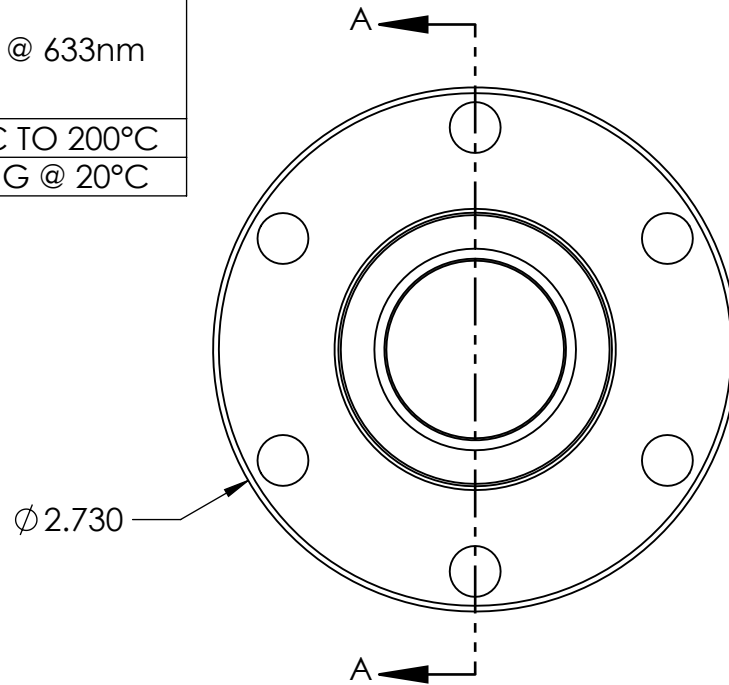


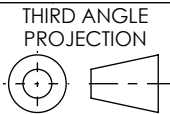
PERFORMANCE SPECIFICATIONS	
SURFACE QUALITY	40-20 OR BETTER
PARALLELISM	30 ARC MINUTES MAX
TRANSMITTED WAVEFRONT DISTORTION (TWD) (FLATNESS)	$< \lambda/4$ @ 633nm
TEMPERATURE	-100°C TO 200°C
PRESSURE	75 PSIG @ 20°C



SECTION A-A

PART No	WINDOW MATERIAL	FLANGE MATERIAL
FA48781	CALCIUM FLUORIDE UV GRADE	304 STN STL
FA48781-11	CALCIUM FLUORIDE 157nm VUV	304 STN STL
FA48781-21	CALCIUM FLUORIDE UV GRADE	316 STN STL
FA48781-31	CALCIUM FLUORIDE 157nm VUV	316 STN STL

PROPRIETARY AND CONFIDENTIAL
 THE INFORMATION CONTAINED IN THIS DRAWING IS THE SOLE PROPERTY OF SOLID SEALING TECHNOLOGY. ANY REPRODUCTION IN PART OR AS A WHOLE WITHOUT THE WRITTEN PERMISSION OF SOLID SEALING TECHNOLOGY IS PROHIBITED.



TITLE
 CaF2 VIEWPORT IN 2.75 CF FLANGE



REV.	APP'D	DATE	SCALE 1:1	DIMENSIONS IN INCHES [mm]	DRAWN	MH	10/13/2023
A1	MH	1/3/2024	VPWD0045-01		ENG APPR.	MH	1/3/2024

PART NO. FA48781 REV. A

WWW.SOLIDSEALING.COM

SALES DWG NO. FA48781SL REV. A1

DIMENSIONS ARE FOR REFERENCE ONLY. UNLESS NOTED, NO TOLERANCES ARE IMPLIED. CONSULT SST TO DISCUSS YOUR SPECIFIC REQUIREMENTS.