

PLUGS SOLD SEPARATELY:
 -VACUUM SIDE PEEK PLUG FA13604
 -AIR SIDE PLUG KT14877

PERFORMANCE SPECIFICATIONS	
VOLTAGE:	500V DC
CURRENT:	5 AMPS
TEMPERATURE:	-25°C TO 205°C

****SEE SHEET 2 FOR MOUNTING DETAILS****

PROPRIETARY AND CONFIDENTIAL THE INFORMATION CONTAINED IN THIS DRAWING IS THE SOLE PROPERTY OF SOLID SEALING TECHNOLOGY. ANY REPRODUCTION IN PART OR AS A WHOLE WITHOUT THE WRITTEN PERMISSION OF SOLID SEALING TECHNOLOGY IS PROHIBITED.				THIRD ANGLE PROJECTION 		TITLE 15 PIN SUB D CONNECTOR			
REV.	APP'D	DATE	SCALE 3:2	DIMENSIONS IN INCHES [mm]	DRAWN	CW	7/31/2020	PART NO. FA41155 REV. C	WWW.SOLIDSEALING.COM
C1	CW	11/11/2020	MPCL0693-11SM		ENG APPR.	HJ	10/23/2020		SALES DWG NO. FA41155SL REV. C1

DIMENSIONS ARE FOR REFERENCE ONLY. UNLESS NOTED, NO TOLERANCES ARE IMPLIED. CONSULT SST TO DISCUSS YOUR SPECIFIC REQUIREMENTS.

FA41155 MOUNTING DETAILS

CONNECTOR FA41155 IS DESIGNED TO MATE WITH A STANDARD MIL-DTL-24308 PLUG ON BOTH SIDES. IT IS SIZED TO USE (2) STANDARD #4-40 SOCKET HEAD CAP SCREWS TO INSTALL THE CONNECTOR INSIDE THE PANEL. SEE FIGURE 1 FOR PANEL CUTOUT DIMENSIONS.

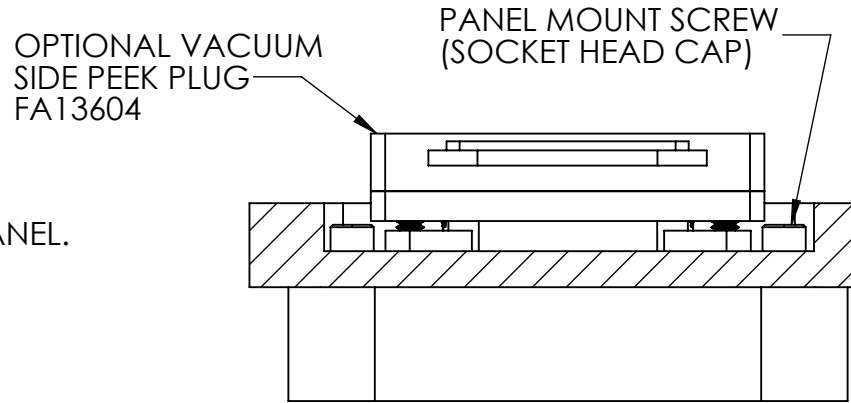


FIGURE 2: CONNECTOR INSTALLED INSIDE A COUNTERBORED PANEL AND MATED WITH PLUG.

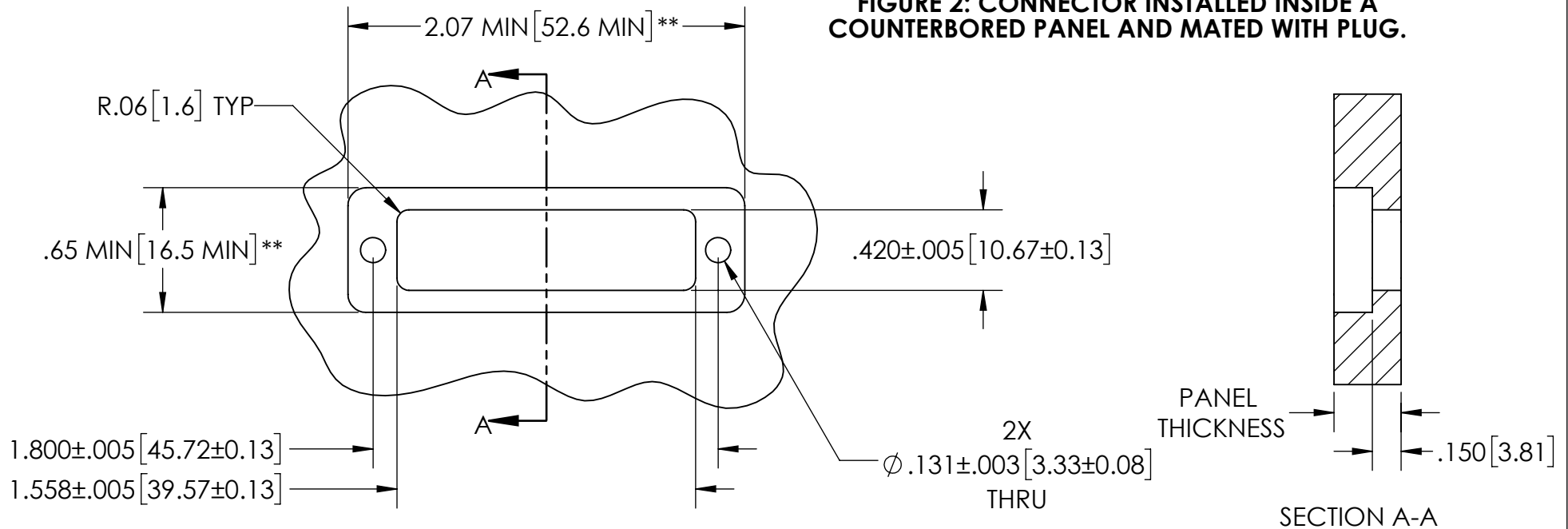


FIGURE 1: PANEL CUTOUT

**FOR PANEL THICKNESS GREATER THAN .150 [3.81], THE PANEL MUST BE COUNTERBORED.

PROPRIETARY AND CONFIDENTIAL THE INFORMATION CONTAINED IN THIS DRAWING IS THE SOLE PROPERTY OF SOLID SEALING TECHNOLOGY. ANY REPRODUCTION IN PART OR AS A WHOLE WITHOUT THE WRITTEN PERMISSION OF SOLID SEALING TECHNOLOGY IS PROHIBITED.				THIRD ANGLE PROJECTION 		TITLE 15 PIN SUB D CONNECTOR			
REV.	APP'D	DATE	SCALE 5:4	DIMENSIONS IN INCHES [mm]	DRAWN	CW	7/31/2020	PART NO. FA41155 REV. C WWW.SOLIDSEALING.COM	
C1	CW	11/11/2020	non-threaded port-15		ENG APPR.	HJ	10/23/2020		

DIMENSIONS ARE FOR REFERENCE ONLY. UNLESS NOTED, NO TOLERANCES ARE IMPLIED. CONSULT SST TO DISCUSS YOUR SPECIFIC REQUIREMENTS.