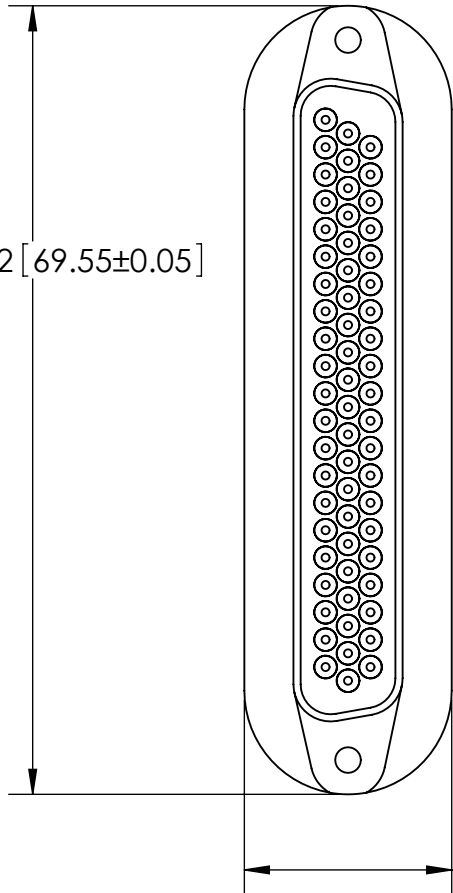
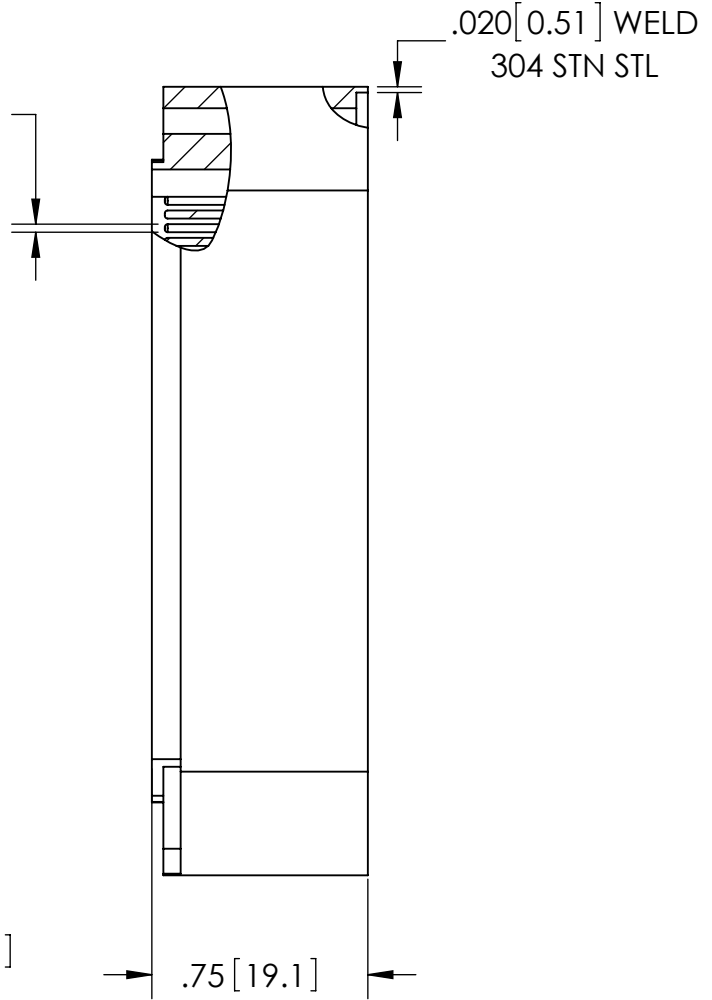


2.738±.002 [69.55±0.05]



.720±.002 [18.29±0.05]

Ø.03 [0.7]
GOLD PLATED
STN STL
CONDUCTORS



PLUGS SOLD SEPARATELY:
- VACUUM SIDE PEEK PLUG FA17947
- AIR SIDE PLUG KT18035

RATINGS	
VOLTAGE	500V DC
CURRENT	2 AMPS
PRESSURE:	900 PSIG @ 20°C
TEMPERATURE	-269°C TO 450°C

WWW.SOLIDSEALING.COM



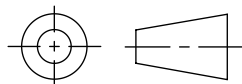
SOLID SEALING TECHNOLOGY, INC.

SALES DWG NO. FA16640SL REV. A3

PROPRIETARY AND CONFIDENTIAL

THE INFORMATION CONTAINED IN THIS DRAWING IS THE SOLE PROPERTY OF SOLID SEALING TECHNOLOGY. ANY REPRODUCTION IN PART OR AS A WHOLE WITHOUT THE WRITTEN PERMISSION OF SOLID SEALING TECHNOLOGY IS PROHIBITED.

THIRD ANGLE PROJECTION



TITLE:

62 PIN CONNECTOR

PART NO. FA16640 REV. A

REV.	APP'D	DATE	SCALE 1.5:1	DIMENSIONS IN INCHES [mm]	DRAWN	MH	03/16/2008
A3	JS	10/08/2013	MPCL0152-11		ENG APPR.	MH	04/15/2008

DIMENSIONS ARE FOR REFERENCE ONLY. UNLESS NOTED, NO TOLERANCES ARE IMPLIED. CONSULT SST TO DISCUSS YOUR SPECIFIC REQUIREMENTS.