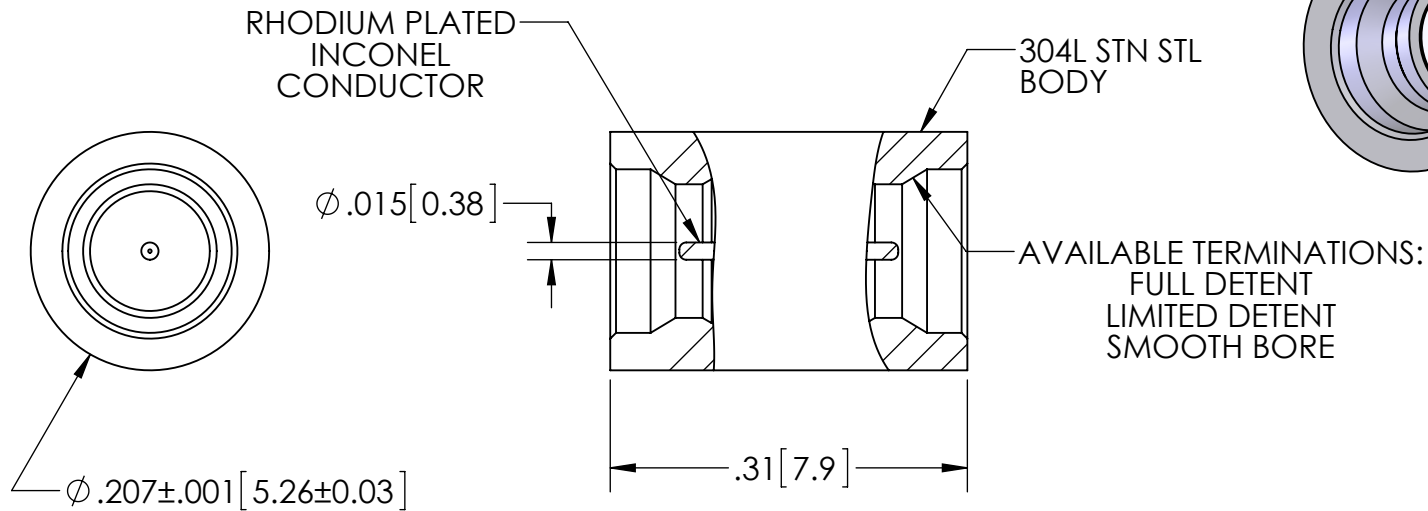


50 OHM SMP DOUBLE ENDED CONNECTOR



SCALE 1:1

PERFORMANCE SPECIFICATIONS	
VOLTAGE (DWV):	500V RMS
INSULATION RESISTANCE:	> 5000 MΩ
PRESSURE:	3000 PSIG @ 20°C*
TEMPERATURE WITHOUT PLUG:	-269°C TO 450°C
TEMPERATURE WITH PLUG:	-65°C TO 165°C

* CONTACT SST FOR TEST DATA

TERMINATION	TYPICAL FORCE TO ENGAGE PLUG	TYPICAL FORCE TO DISENGAGE PLUG
FULL DETENT	15 LBS MAX	5 LBS MIN
LIMITED DETENT	10 LBS MAX	2 LBS MIN
SMOOTH BORE	2 LBS MAX	0.5 LBS MIN

LEAK RATE <math>< 1 \times 10^{-10}</math> ATM-CC/SEC (He)

PROPRIETARY AND CONFIDENTIAL THE INFORMATION CONTAINED IN THIS DRAWING IS THE SOLE PROPERTY OF SOLID SEALING TECHNOLOGY. ANY REPRODUCTION IN PART OR AS A WHOLE WITHOUT THE WRITTEN PERMISSION OF SOLID SEALING TECHNOLOGY IS PROHIBITED.				THIRD ANGLE PROJECTION 		TITLE: 50 OHM SMP CONNECTOR		
REV.	APP'D	DATE	SCALE 6:1	DIMENSIONS IN INCHES [mm]	DRAWN	JF	02/05/2016	
A2	JF	01/11/2017	COSM0001-21		ENG APPR.	JF	02/05/2016	SHEET 1 OF 1