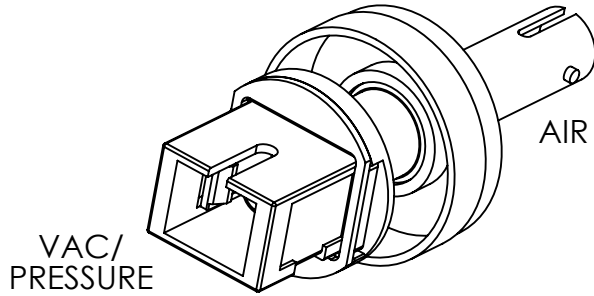
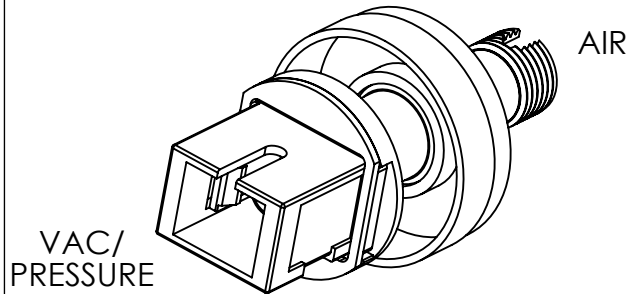


WELDABLE FIBER OPTIC FEEDTHROUGHS

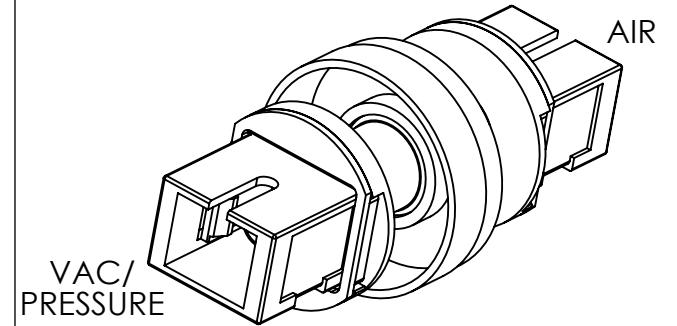
SC-ST FA35757 - MULTIMODE
FA37635 - SINGLEMODE



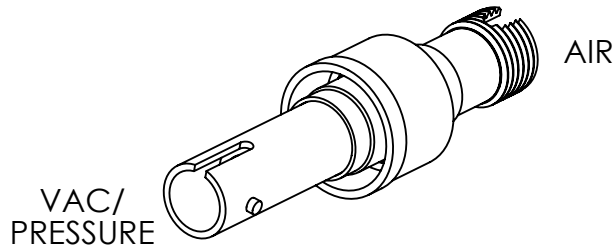
SC-FC FA35758 - MULTIMODE
FA37636 - SINGLEMODE



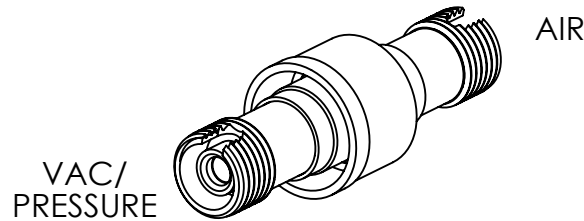
SC-SC FA35759 - MULTIMODE
FA37637 - SINGLEMODE



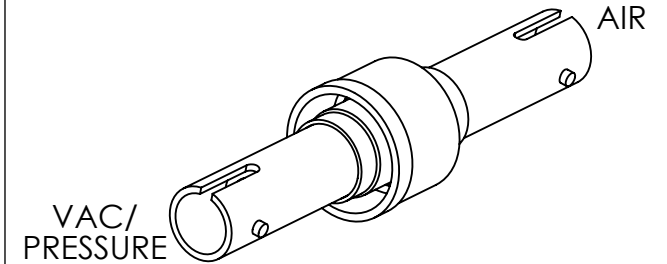
ST-FC FA35760 - MULTIMODE
FA37638 - SINGLEMODE



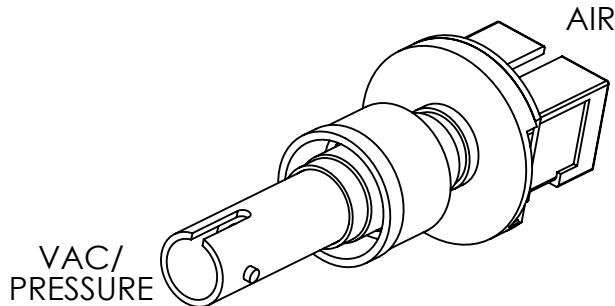
FC-FC FA35761 - MULTIMODE
FA37639 - SINGLEMODE



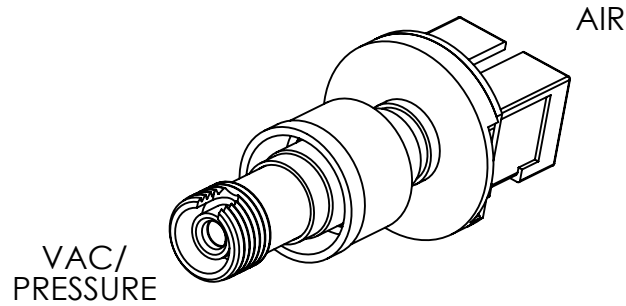
ST-ST FA35762 - MULTIMODE
FA37640 - SINGLEMODE



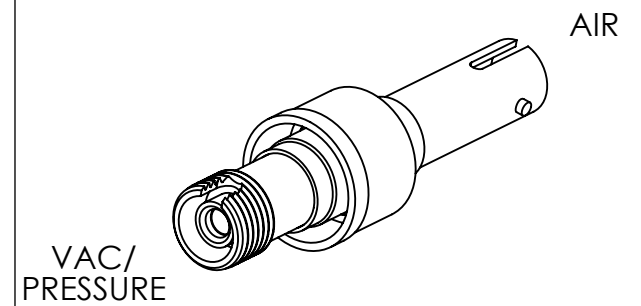
ST-SC FA35875 - MULTIMODE
FA37641 - SINGLEMODE



FC-SC FA35876 - MULTIMODE
FA37642 - SINGLEMODE



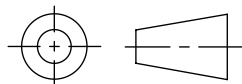
FC-ST FA35877 - MULTIMODE
FA37643 - SINGLEMODE



PROPRIETARY AND CONFIDENTIAL

THE INFORMATION CONTAINED IN THIS DRAWING IS THE SOLE PROPERTY OF SOLID SEALING TECHNOLOGY. ANY REPRODUCTION IN PART OR AS A WHOLE WITHOUT THE WRITTEN PERMISSION OF SOLID SEALING TECHNOLOGY IS PROHIBITED.

THIRD ANGLE PROJECTION



TITLE:

FO ADAPTER P/N'S



REV.	APP'D	DATE	SCALE 1.5:1	DIMENSIONS IN INCHES [mm]
A2	JF	12/11/2018	FOFDN001-12	

DRAWN	HJ	10/30/2018
ENG APPR.	HJ	10/30/2018

PRODUCT: OF_SINGLE_PIN REV: A2

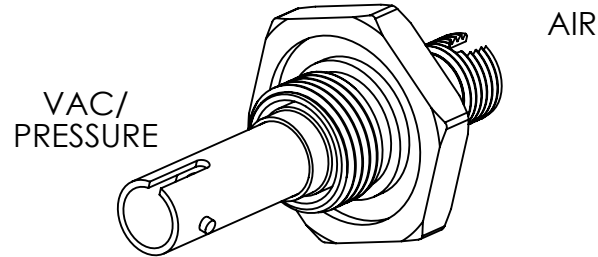
SOLID SEALING TECHNOLOGY, INC.

SHEET 1 OF 3

JAMNUT/BASE PLATE FIBER OPTIC FEEDTHROUGHS

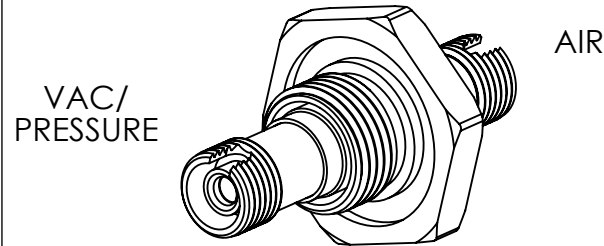
ST-FC

FA38300 - MULTIMODE
FA38322 - SINGLEMODE



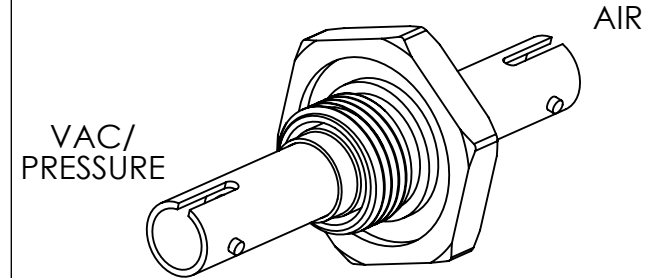
FC-FC

FA38301 - MULTIMODE
FA38323 - SINGLEMODE



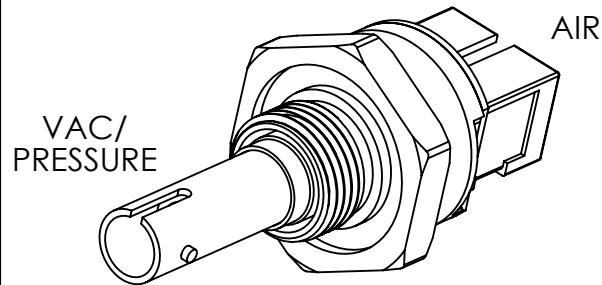
ST-ST

FA38296 - MULTIMODE
FA38324 - SINGLEMODE



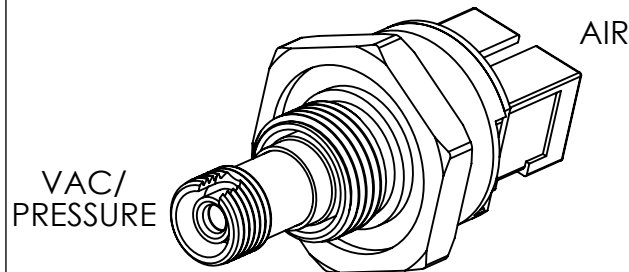
ST-SC

FA38302 - MULTIMODE
FA38325 - SINGLEMODE



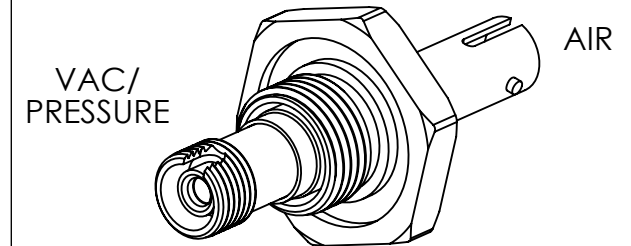
FC-SC

FA38303 - MULTIMODE
FA38326 - SINGLEMODE



FC-ST

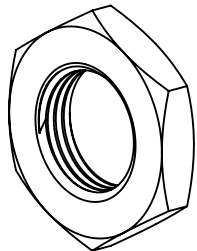
FA38304 - MULTIMODE
FA38327 - SINGLEMODE



ACCESSORIES FOR JAMNUT/BASEPLATE FEEDTHROUGHS

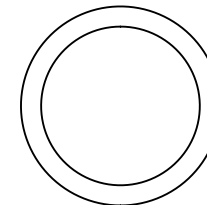
STAINLESS STEEL PANEL NUT

FP38340



O-RING

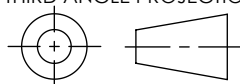
PART NUMBER	MATERIAL
FP38345	VITON
FP38345-02	FLUORINATED SILICONE
FP38345-03	BUNA-N
FP38345-04	KALREZ 6230
FP38345-05	EPDM



PROPRIETARY AND CONFIDENTIAL

THE INFORMATION CONTAINED IN THIS DRAWING IS THE SOLE PROPERTY OF SOLID SEALING TECHNOLOGY. ANY REPRODUCTION IN PART OR AS A WHOLE WITHOUT THE WRITTEN PERMISSION OF SOLID SEALING TECHNOLOGY IS PROHIBITED.

THIRD ANGLE PROJECTION



TITLE:

FO ADAPTER P/N'S



REV.	APP'D	DATE	SCALE 1.5:1	DIMENSIONS IN INCHES [mm]
A2	JF	12/11/2018	FOFDN001-28	

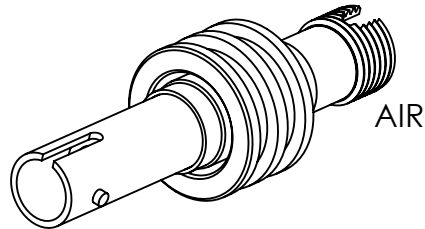
DRAWN	HJ	10/30/2018
ENG APPR.	HJ	10/30/2018

PRODUCT:	OF_SINGLE_PIN	REV:	A2
----------	---------------	------	----

BORE MOUNT FIBER OPTIC FEEDTHROUGHS

ST-FC

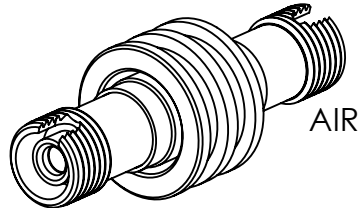
FA38318 - MULTIMODE
FA38328 - SINGLEMODE



VAC/
PRESSURE

FC-FC

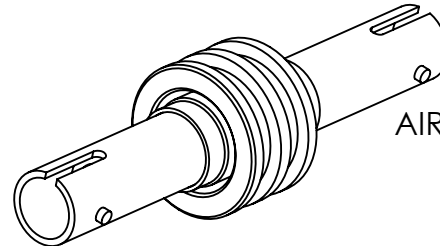
FA38316 - MULTIMODE
FA38329 - SINGLEMODE



VAC/
PRESSURE

ST-ST

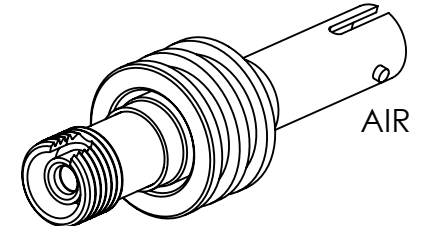
FA38315 - MULTIMODE
FA38330 - SINGLEMODE



VAC/
PRESSURE

FC-ST

FA38314 - MULTIMODE
FA38331 - SINGLEMODE

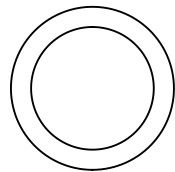


VAC/
PRESSURE

ACCESSORIES FOR BORE MOUNT FEEDTHROUGHS

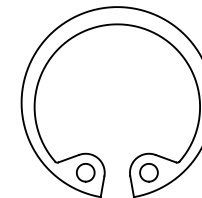
O-RING (TWO REQUIRED PER ASSEMBLY)

PART NUMBER	MATERIAL
FP38354	VITON
FP38354-02	FLUORINATED SILICONE
FP38354-03	BUNA-N
FP38354-04	KALREZ 6230
FP38354-05	EPDM



INTERNAL RETAINING RING (STAINLESS)

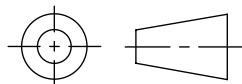
FP38361



PROPRIETARY AND CONFIDENTIAL

THE INFORMATION CONTAINED IN THIS DRAWING IS THE SOLE PROPERTY OF SOLID SEALING TECHNOLOGY. ANY REPRODUCTION IN PART OR AS A WHOLE WITHOUT THE WRITTEN PERMISSION OF SOLID SEALING TECHNOLOGY IS PROHIBITED.

THIRD ANGLE PROJECTION



TITLE:

FO ADAPTER P/N'S



REV.	APP'D	DATE	SCALE 1.5:1	DIMENSIONS IN INCHES [mm]	DRAWN	HJ	10/30/2018
A2	JF	12/11/2018	FOFDN001-29		ENG APPR.	HJ	10/30/2018

PRODUCT: OF_SINGLE_PIN REV: A2

SOLID SEALING TECHNOLOGY, INC.

SHEET 3 OF 3