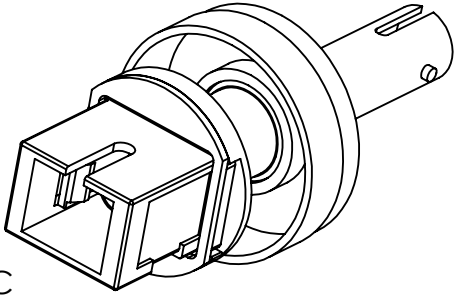
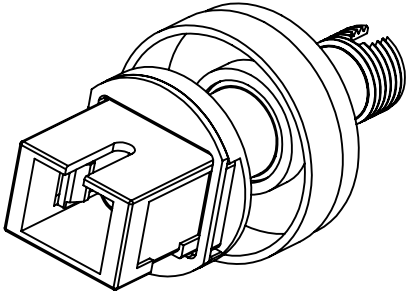
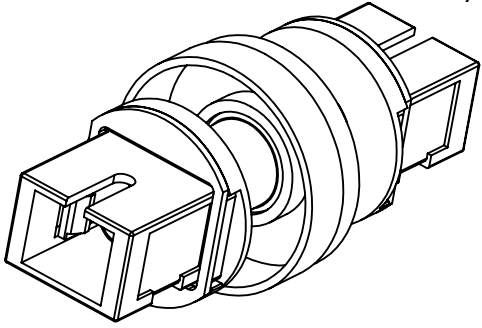
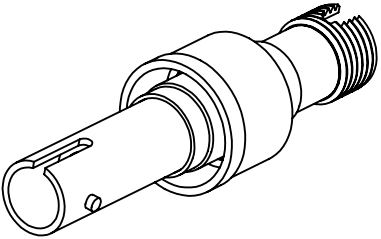
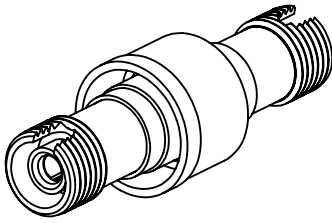
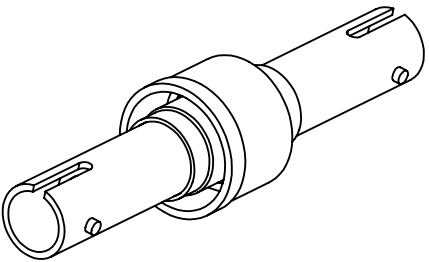
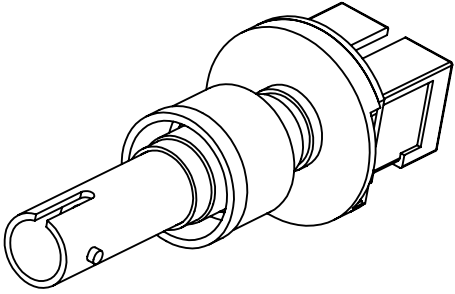
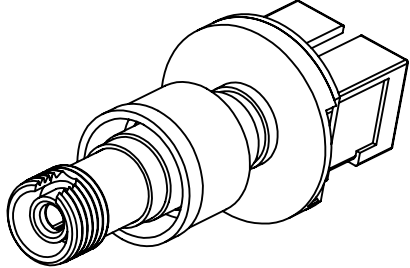
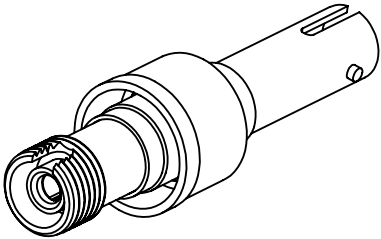
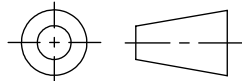


<p>FA35757 SC-ST</p>  <p>VAC</p> <p>AIR</p>	<p>FA35758 SC-FC</p>  <p>VAC</p> <p>AIR</p>	<p>FA35759 SC-SC</p>  <p>VAC</p> <p>AIR</p>
<p>FA35760 ST-FC</p>  <p>VAC</p> <p>AIR</p>	<p>FA35761 FC-FC</p>  <p>VAC</p> <p>AIR</p>	<p>FA35762 ST-ST</p>  <p>VAC</p> <p>AIR</p>
<p>FA35875 ST-SC</p>  <p>VAC</p> <p>AIR</p>	<p>FA35876 FC-SC</p>  <p>VAC</p> <p>AIR</p>	<p>FA35877 FC-ST</p>  <p>VAC</p> <p>AIR</p>

PROPRIETARY AND CONFIDENTIAL

THE INFORMATION CONTAINED IN THIS DRAWING IS THE SOLE PROPERTY OF SOLID SEALING TECHNOLOGY. ANY REPRODUCTION IN PART OR AS A WHOLE WITHOUT THE WRITTEN PERMISSION OF SOLID SEALING TECHNOLOGY IS PROHIBITED.

THIRD ANGLE PROJECTION



TITLE:

FO ADAPTER P/N'S

NUMBER:

REV:

A1



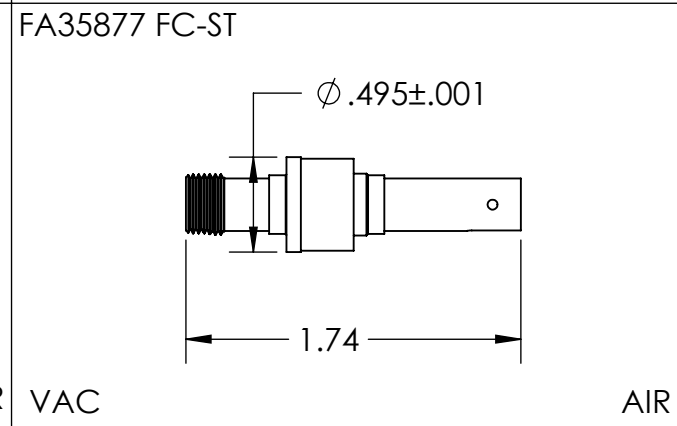
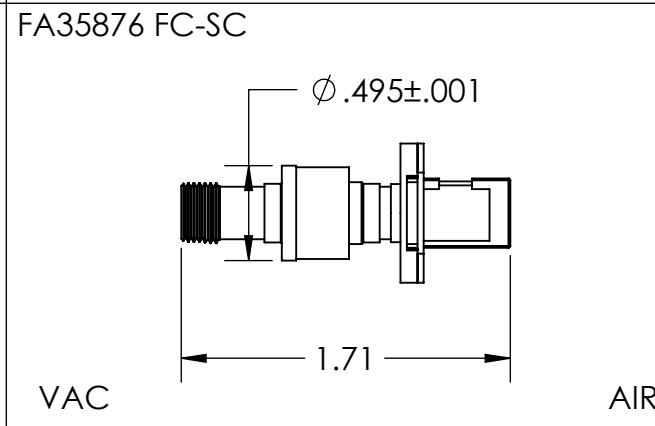
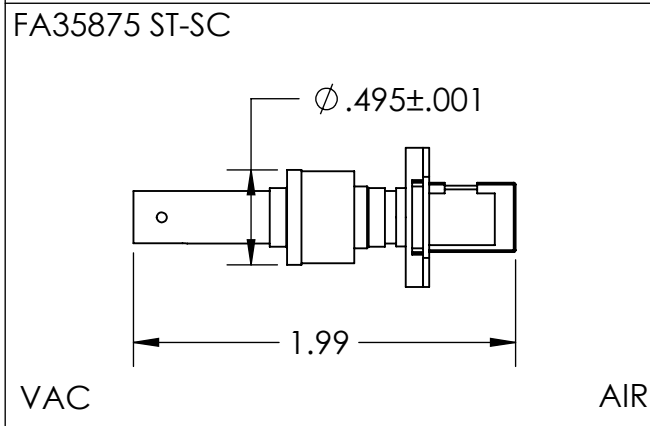
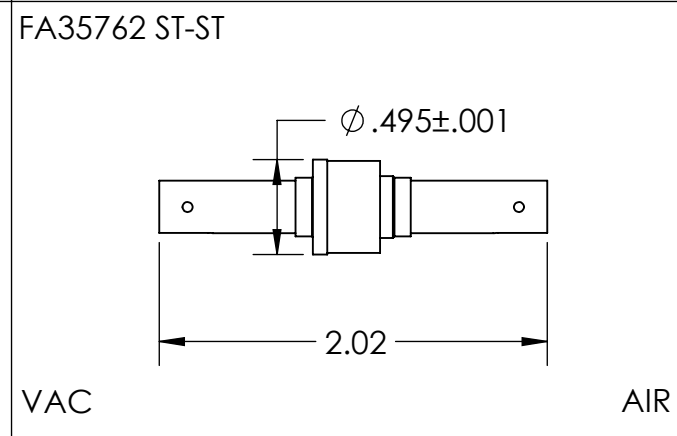
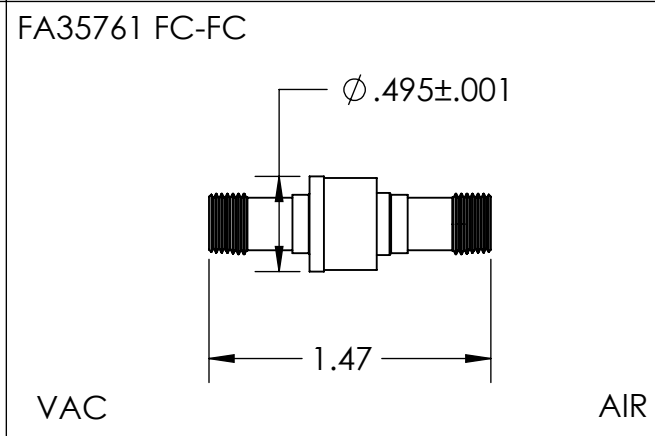
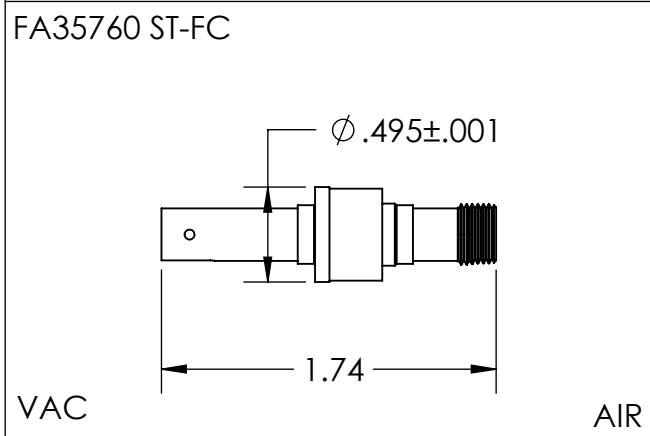
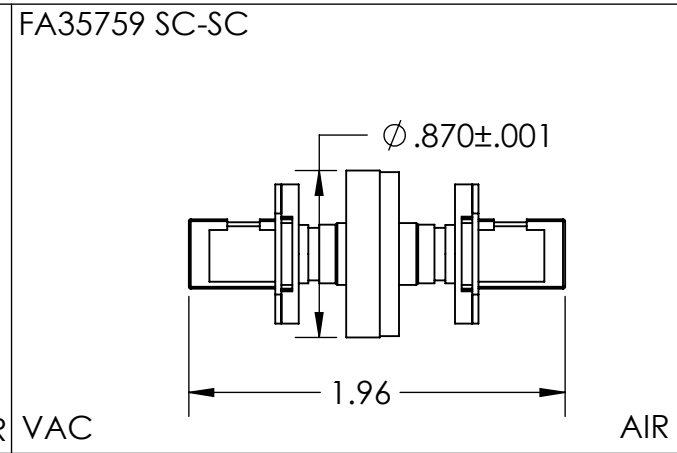
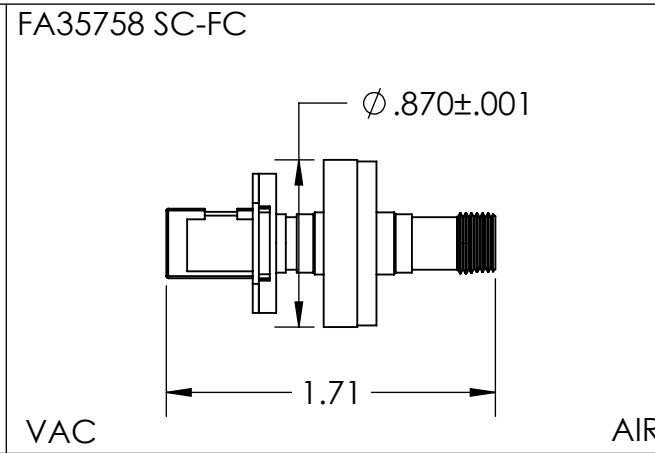
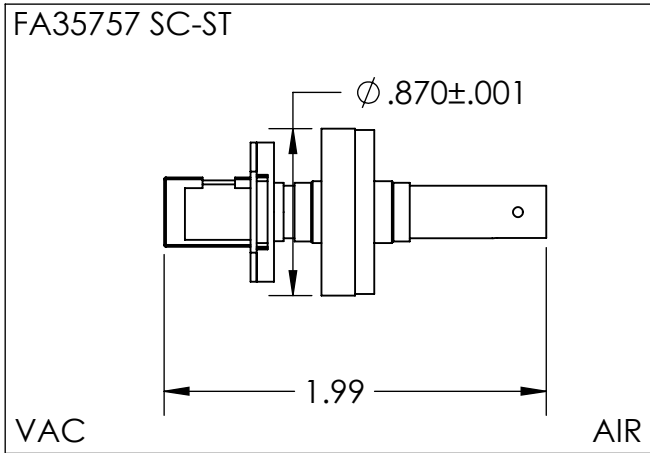
SOLID SEALING TECHNOLOGY, INC.
SHEET 1 OF 2

REV.	APP'D	DATE	SCALE 1.5:1	DIMENSIONS IN INCHES [mm]
A1	HJ	04/27/2018	FOFDN001-12	

DRAWN	HJ	04/27/2018
ENG APPR.	HJ	04/27/2018

--

--



PROPRIETARY AND CONFIDENTIAL
 THE INFORMATION CONTAINED IN THIS DRAWING IS THE
 SOLE PROPERTY OF SOLID SEALING TECHNOLOGY. ANY
 REPRODUCTION IN PART OR AS A WHOLE WITHOUT THE WRITTEN
 PERMISSION OF SOLID SEALING TECHNOLOGY IS PROHIBITED.

REV.	APP'D	DATE	SCALE 1:1	DIMENSIONS IN INCHES [mm]
A1	HJ	04/27/2018	FOFDN001-12	

THIRD ANGLE PROJECTION

DRAWN	HJ	04/27/2018
ENG APPR.	HJ	04/27/2018

TITLE:
FO ADAPTER P/N'S

NUMBER:
 REV: **A1**

