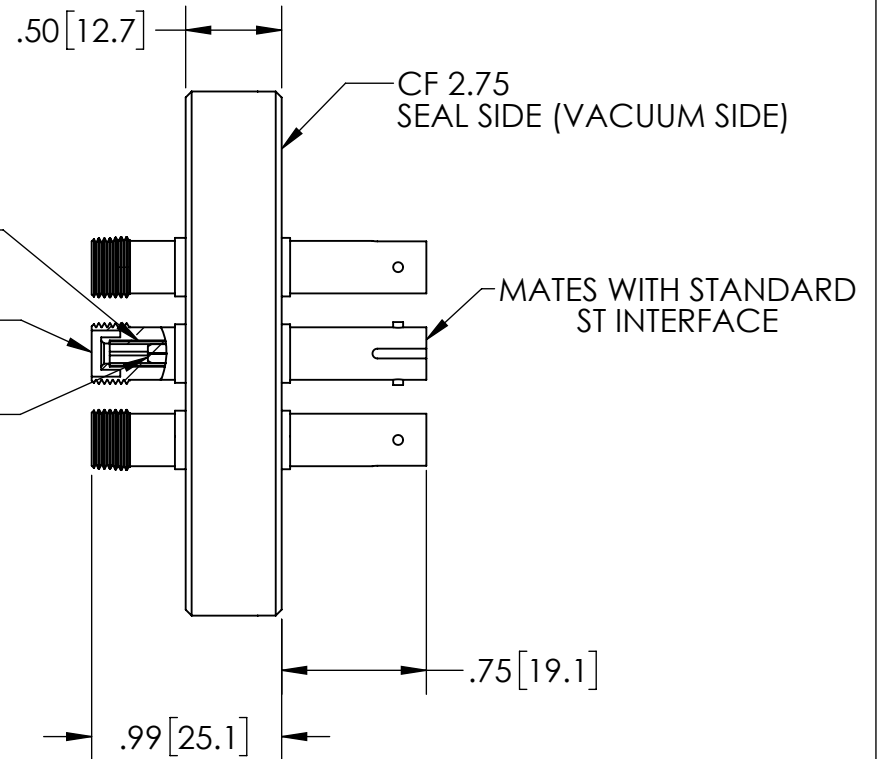
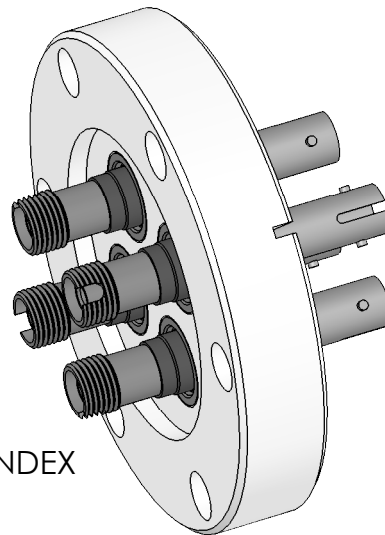


PRECISION ZIRCONIA ALIGNMENT SLEEVE
 MATES WITH STANDARD FC INTERFACE
 PRECISION ZIRCONIA FERRULE



-FIBER: 62.5/125 μ m MULTIMODE GRADED INDEX
 -LEAK RATE <math>< 1 \times 10^{-9}</math> ATM-CC/SEC (He)
 -AVAILABLE VACUUM SIDE PLUG FA36306

PERFORMANCE SPECIFICATIONS
.4 dB LOSS PER JUNCTION @ 850 nm TYPICAL, @ ROOM TEMPERATURE
OPERATING TEMPERATURE: -40°C TO 150°C
200°C BAKE OUT FOR 1 HOUR

WWW.SOLIDSEALING.COM



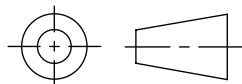
SOLID SEALING TECHNOLOGY, INC.

SALES DWG NO. FA36874SL REV. A1

PROPRIETARY AND CONFIDENTIAL

THE INFORMATION CONTAINED IN THIS DRAWING IS THE SOLE PROPERTY OF SOLID SEALING TECHNOLOGY. ANY REPRODUCTION IN PART OR AS A WHOLE WITHOUT THE WRITTEN PERMISSION OF SOLID SEALING TECHNOLOGY IS PROHIBITED.

THIRD ANGLE PROJECTION



TITLE:

ST TO FC FIBER OPTIC
 FEEDTHROUGH ADAPTER

PART NO. FA36874 REV. A

REV.	APP'D	DATE	SCALE 1:1	DIMENSIONS IN INCHES [mm]	DRAWN	JF	01/31/2018
A1	JF	01/31/2018	FOFDN002-17		ENG APPR.	JF	01/31/2018

DIMENSIONS ARE FOR REFERENCE ONLY. UNLESS NOTED, NO TOLERANCES ARE IMPLIED. CONSULT SST TO DISCUSS YOUR SPECIFIC REQUIREMENTS.