



SOLID SEALING TECHNOLOGY, INC.

# *High Current*

*Connectors & Quick Connect Assemblies*



*Advanced Material Joining*

# NEW High Current Connector Products

Solid Sealing Technology introduces two new series high current connector solutions. These connectors are rated for currents from 69 to 250 amps and incorporate SST's ceramic to metal sealing technology for use in ultra high vacuum, pressure, cryogenics, and gas/plasma processing applications. Both series provide an ideal solution for high current applications which maximize ratings, safety, and the connection interface.

## High Current Circular Connectors

This connector series is ideal for high current applications requiring hermetic safe single to multipin plug connections. These assemblies are available in three different shell sizes and five different pin arrangements, with pin densities from one to four pin configurations. Voltage ratings range from 700V to 1750V and current ratings range from 69 to 250 amps. Conductors are silver plated copper on the airside in order to reduce contact resistance and range in diameters of .142 inches to .375 inches.

Airside plugs are included with all assemblies and include crimp style contacts for wire/ cable installation. Standard assembly installation includes weldable, ConFlat® Flange, and ISO KF Flange.

## High Current Single Conductor Quick Connect Assemblies

This low cost, quick connect series is the perfect solution for applications where a single high current conductor requires a safe quick connect plug housing assembly while maintaining connection integrity and safety. These assemblies are rated for ultra high vacuum applications.

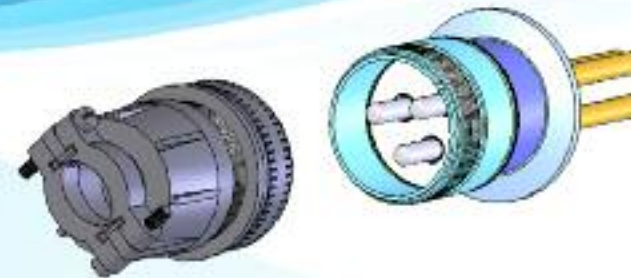
All connectors are rated for 2500V with current ratings ranging from 70 to 200 amps. All assemblies include a right angle plug with a silver plated tin contact.

Standard installation for all sizes include weldable, ConFlat® Flange, and ISO KF Flange.

SST provides ideal sealing solutions for demanding applications including high temperature, ultra-high vacuum, and high pressure environments. Our products and unique capabilities enable us to service large OEMs, Distributors, and Research and Development Groups from various markets including: Semiconductor Equipment, Thin Film Coatings, Industrial Lasers, Homeland Security and Defense, Medical, Nanotechnology, Power Distribution, Telecommunications, and High Energy Physics.

Please visit our website at [www.solidsealing.com](http://www.solidsealing.com) for a complete listing of our standard products including 3-D Models, PDF, and GIF drawing files.

© ConFlat is a registered trademark of Varian Associates, Inc.



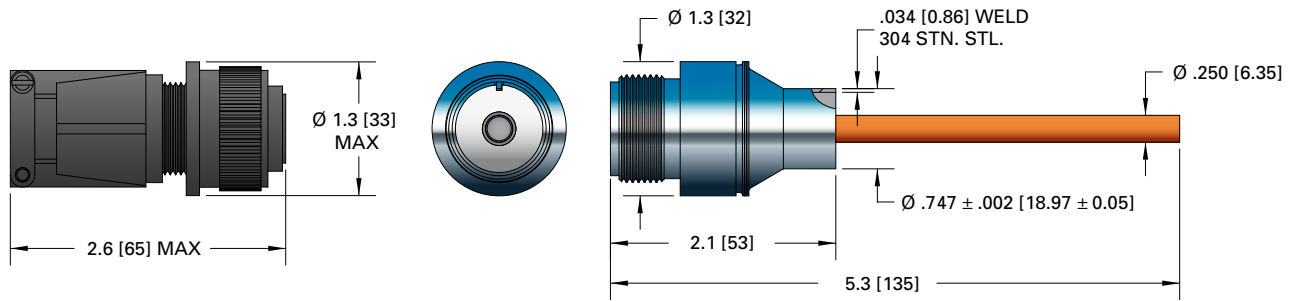
# High Current Connectors

- 3 shell sizes
- Voltage up to 1750 V
- Current up to 250 amps
- Airside plug included
- Silver plated copper conductors

## Temperature Ratings:

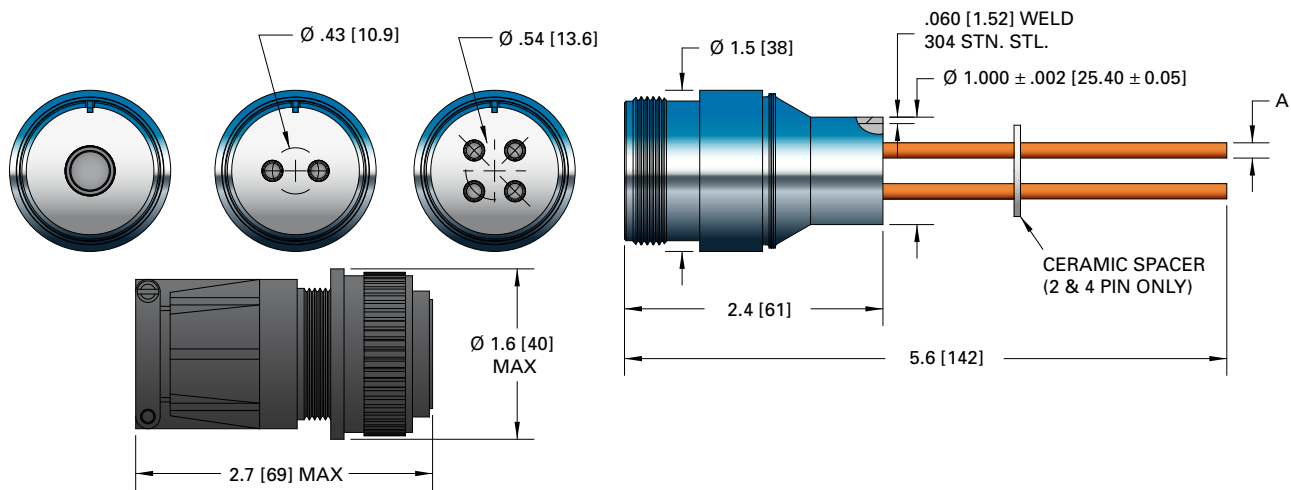
Weldable, CF Flange Assemblies: without plug -269° C to 450° C; with plug -55° C to 125° C  
 KF Assemblies: without plug -25° C to 205° C; with plug -25° C to 125° C

## Shell Size 16



No. of Pins	Pin Dia.	Current	Voltage	Installation	Price	SST Part No.
1	.250 [6.35]	120A	700V	Weld	\$290.00	KT19249
				CF1.33	\$315.00	KT20495
				CF2.75	\$330.00	KT20673
				KF16	\$315.00	KT20674
				KF40	\$330.00	KT20675

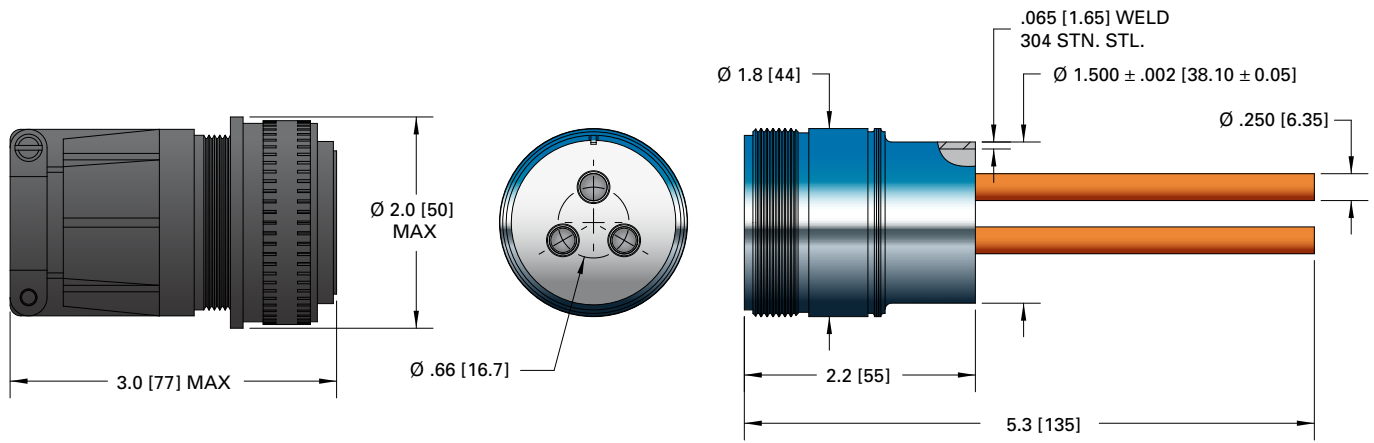
## Shell Size 22



No. of Pins	Pin Dia. A	Current	Voltage	Installation	Price	SST Part No.
1	.375 [9.53]	250A	1750V	Weld	\$392.00	KT19347
				CF2.75	\$432.00	KT20676
				KF40	\$432.00	KT20677
2	.142 [3.61]	69A	1250V	Weld	\$319.00	KT19243
				CF2.75	\$359.00	KT20513
				KF40	\$359.00	KT20678
4	.142 [3.61]	69A	700V	Weld	\$445.00	KT19356
				CF2.75	\$485.00	KT20679
				KF40	\$485.00	KT20680



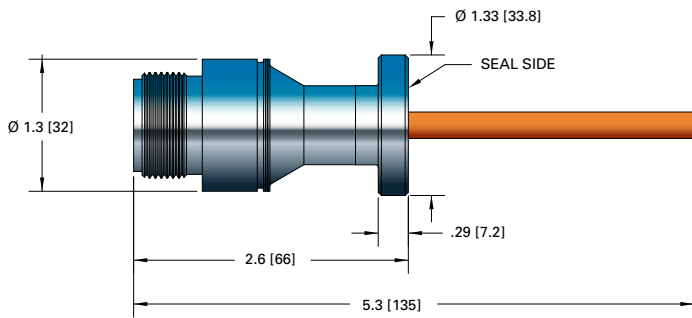
## Shell Size 28



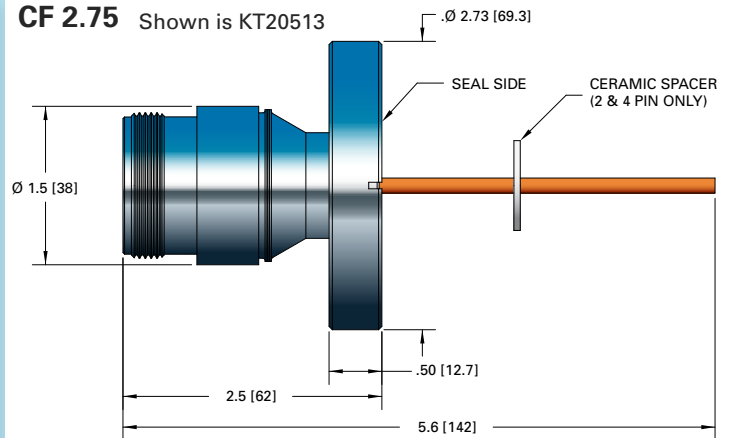
No. of Pins	Pin Dia.	Current	Voltage	Installation	Price	SST Part No.
3	.250 [6.35]	120A	1250V	Weld	\$375.00	KT19541
				CF2.75	\$415.00	KT20681
				KF40	\$415.00	KT20682

## Installation Options – High Current Connector

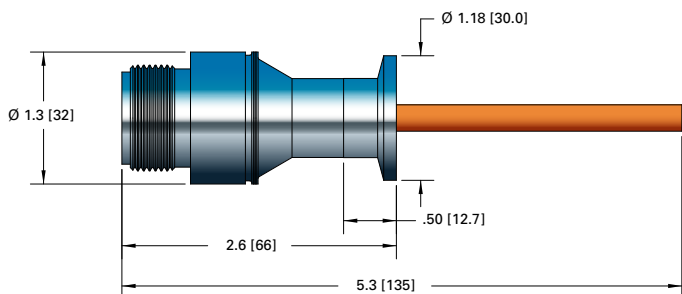
**CF 1.33** Shown is KT20495



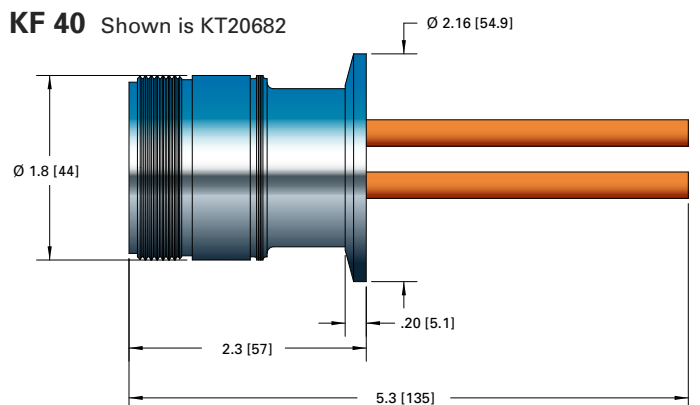
**CF 2.75** Shown is KT20513



**KF 16** Shown is KT20674



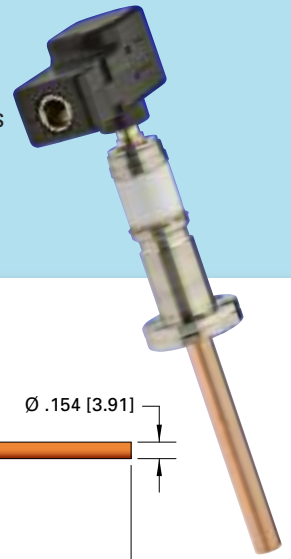
**KF 40** Shown is KT20682



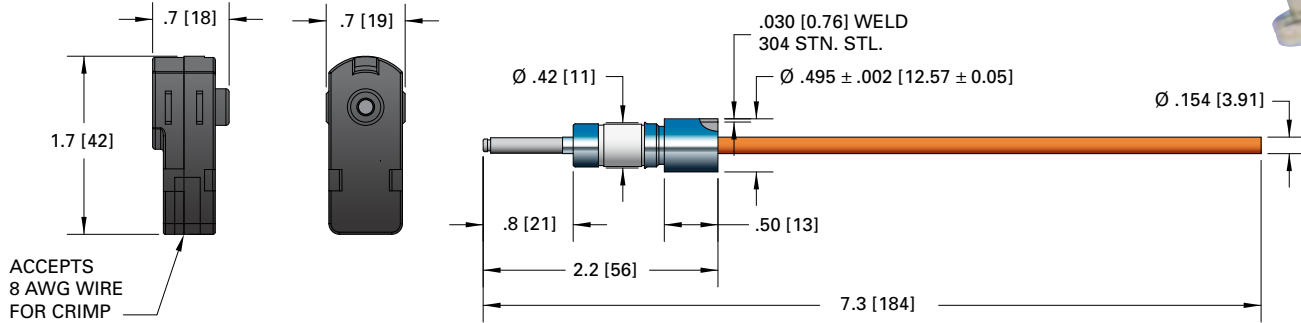
# High Current Quick Connect Assemblies

- Voltage up to 2500 V
- Current up to 200 amps
- Airside plug included
- Silver plated copper conductors
- RoHS compliant

**Temperature Ratings without plug:**  
 -269° C to 450° C for Weldable and CF Flange Assemblies  
 -80° C to 450° C for .375 Dia. Weld and CF Assemblies  
 -25° C to 205° C for all KF Flange Assemblies

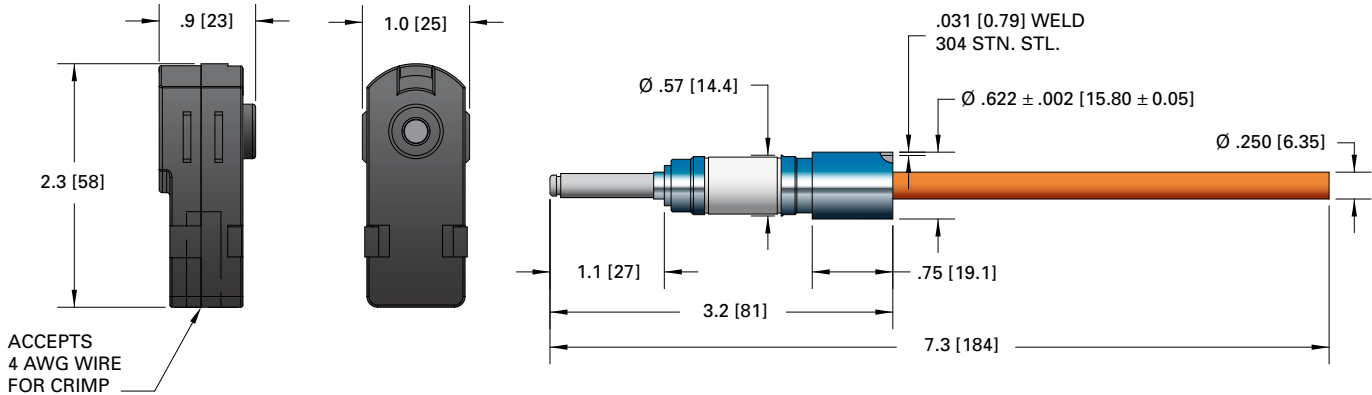


## .154 Pin Diameter, 70A



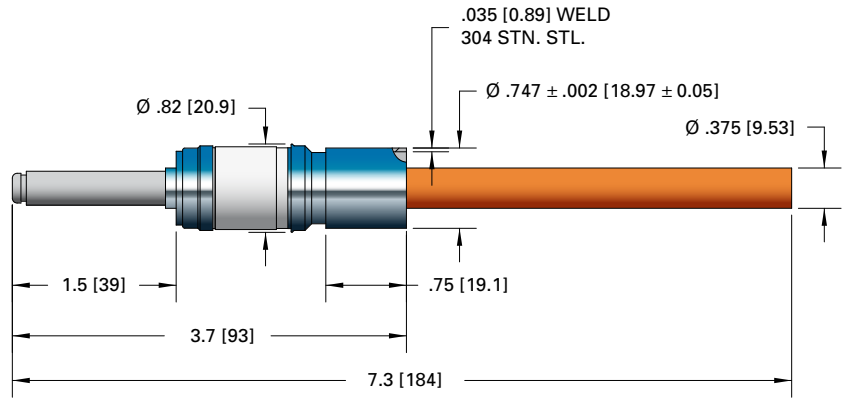
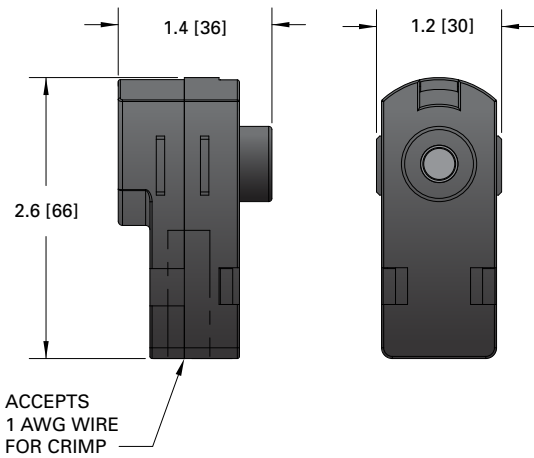
Pin Diameter	Current	Voltage	Installation	Temp w/plug	Price	SST Part No.
.154 [3.91]	70A	2.5kV	Weld	-55°C to 125° C	\$77.00	KT20164
			CF1.33	-55°C to 125° C	\$102.00	KT20683
			CF2.75	-55°C to 125° C	\$117.00	KT20684
			KF16	-25°C to 125° C	\$102.00	KT20685
			KF40	-25°C to 125° C	\$117.00	KT20686

## .250 Pin Diameter, 125A



Pin Diameter	Current	Voltage	Installation	Temp w/plug	Price	SST Part No.
.250 [6.35]	125A	2.5kV	Weld	-55°C to 125° C	\$82.00	KT20165
			CF1.33	-55°C to 125° C	\$107.00	KT20687
			CF2.75	-55°C to 125° C	\$122.00	KT20688
			KF16	-25°C to 125° C	\$107.00	KT20689
			KF40	-25°C to 125° C	\$122.00	KT20690

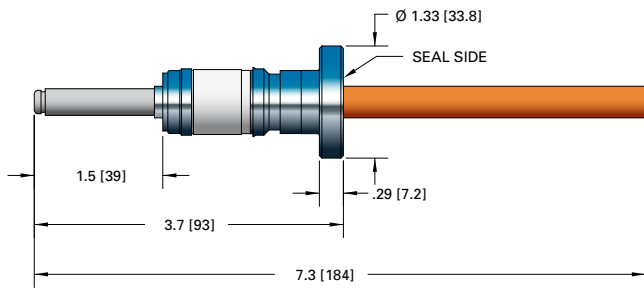
## .375 Pin Diameter, 200A



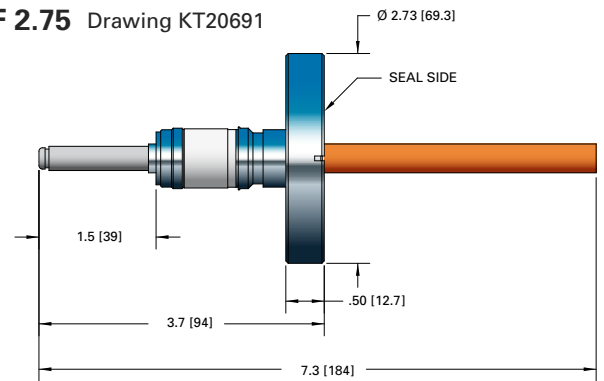
Pin Diameter	Current	Voltage	Installation	Temp w/plug	Price	SST Part No.
.375 [9.53]	200A	2.5kV	Weld	-55°C to 125°C	\$126.00	KT20166
			CF1.33	-55°C to 125°C	\$151.00	KT20211
			CF2.75	-55°C to 125°C	\$166.00	KT20691
			KF16	-25°C to 125°C	\$151.00	KT20692
			KF40	-25°C to 125°C	\$166.00	KT20693

## Installation Options – High Current Quick Connect Assemblies

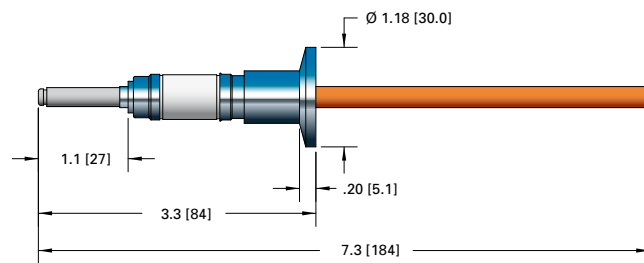
**CF 1.33** Drawing KT20211



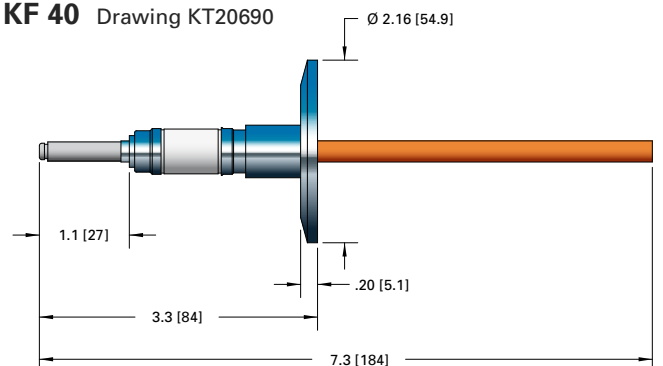
**CF 2.75** Drawing KT20691



**KF 16** Drawing KT20689

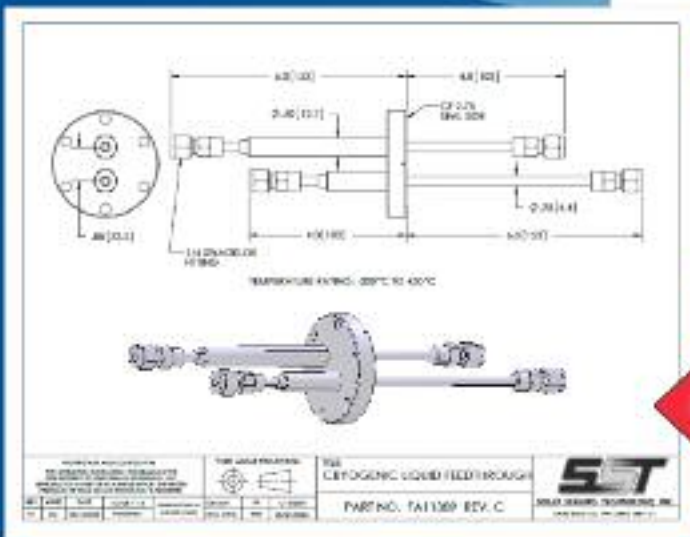
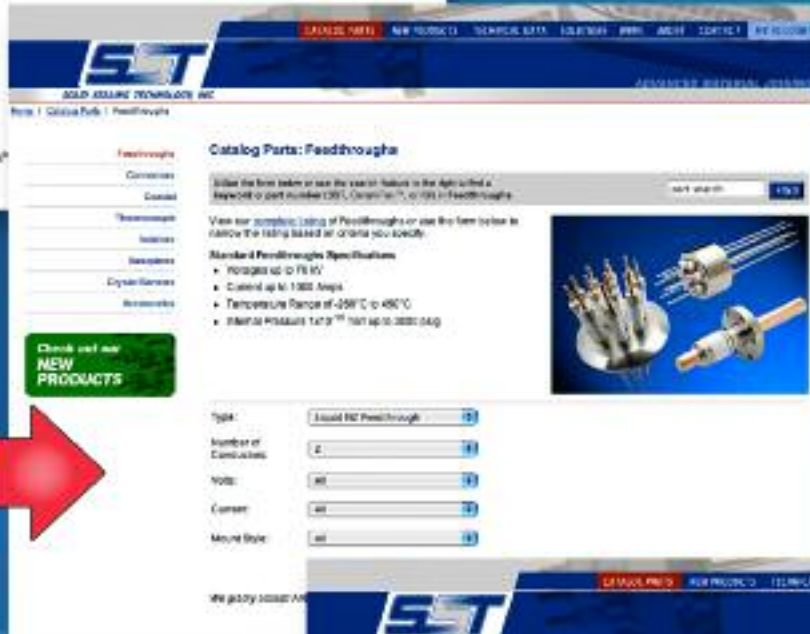


**KF 40** Drawing KT20690



# Visit [www.solidsealing.com](http://www.solidsealing.com)

View over 1200 standard feedthroughs and connectors with PDF and 3D model drawings





## COMPANY

With over 100 years of combined experience in ceramic-to-metal sealing, Solid Sealing Technology is committed to serve the high-tech market place.

We understand that our success is dependent on the success of our dedicated workforce and our ability to stay abreast of the latest technology. Our mission is to be the best choice for joining advanced materials while providing value-added engineering and manufacturing services to our customers. SST is a team based working environment and we look to build win-win relationships with our customers, suppliers, and technology partners. SST is the global leader in the high reliability, hermetic sealing market place.

Whether you are looking for standard products or a partner to develop a new bonding technique for the latest advanced materials, Solid Sealing Technology will be there to support you. SST can deliver "Solid" Customer Service, Rapid Response, On Target Quality, and Superior Customer Value.



**SOLID SEALING TECHNOLOGY, INC.**

44 Dalliba Avenue  
Watervliet, New York 12189 USA  
+1 518.266.6017  
[info@solidsealing.com](mailto:info@solidsealing.com)  
[www.solidsealing.com](http://www.solidsealing.com)

